



NDP-25 Series Specifications

Port Dimensions

Intake & discharge connection:

Polypropylene (PPG)	1" 25 mm Female BSPT
Kynar®(PVDF)	1" 25 mm Female BSPT
Aluminum (ADC-12)	1" 25 mm Female BSPT
Stainless Steel (316)	1" 25 mm Female BSPT
Cast Iron	1" 25 mm Female BSPT
Air inlet (incl. ball valve):	3/8" 10 mm Female BSPT
Air exhaust (incl. silencer):	3/4" 20 mm Female BSPT

DIN & ANSI Flange also available - consult Yamada.

Maximum Liquid Temperature*

Diaphragm Material	Temperature
Neoprene	82° C (180° F)
Buna N	82° C (180° F)
EPDM	100° C (212° F)
Hytrel® (TPEE)	120° C (248° F)
Santoprene® (TPO)	100° C (212° F)
Viton® fluoroelastomer	120° C (248° F)
Teflon® (PTFE)	100° C (212° F)

*The maximum liquid temperature for metal and Kynar®-fitted pumps is determined by the Elastomer (diaphragm material). Polypropylene and Grounddable Acetal pumps have a maximum liquid temperature of 82° C (180° F) regardless of diaphragm material.

Air Supply Pressure (All Models)

1,4 - 7 BAR (20 - 100 PSI)

Discharge Volume Per Cycle

Rubber diaphragm: 833 cc (0,22 US gallons)
PTFE diaphragm : 787 cc (0,21 US gallons)

Maximum Cycles Per Minute:

Rubber diaphragm: 210
PTFE: diaphragm: 210

Maximum Size Solid

4,8 mm (3/16")

Maximum Dry Suction Lift

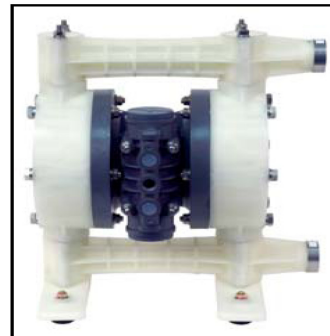
Rubber-fitted pump capability: 5.5 m (18 feet)

Air Motors

Aluminum air motors are standard on metal pumps; glass-filled polypropylene air motors are standard on plastic pumps.

Optional air motors: Epoxy - coated, Teflon® - coated, Electroless Nickel Plate, aluminum and glass-filled polypropylene.

All Polypropylene, Aluminum, Cast Iron, and SS Hytrel® fitted pumps include PTFE check balls & wetted o-rings and Santoprene® fitted pumps include EPDM check balls & wetted o-rings. Kynar® (PVDF) pumps fitted with Santoprene®, Hytrel®, or Teflon® include Teflon® check balls & o-rings. Kynar®/EPDM fitted pumps include EPDM check balls & o-rings and Viton® fitted include Viton® balls & o-rings.



Polypropylene DIN - Flange

Dimensions: 366mm W x 422mm H

Net Wt.: 10,9 kg (29 lbs.)

Shipping Wt.: 12,9 kg (30 lbs.)

Polypropylene - BSPT

Dimensions: 366mm W x 429mm H

Net Wt.: 10,9 kg (29 lbs.)

Shipping Wt.: 12 kg (30 lbs.)

Kynar® BSPT

Dimensions: 366mm W x 429mm H

Net Wt.: 13,4 kg (29,7 lbs.)

Shipping Wt.: 15 kg (33 lbs.)

Kynar® DIN - Flange

Dimensions: 366mm W x 422mm H

Net Wt.: 13,4 kg (29,7 lbs.)

Shipping Wt.: 15 kg (33 lbs.)

Aluminum

Dimensions: 287mm W x 383mm H

Net Wt.: 13 kg (27 lbs.)

Shipping Wt.: 14 kg (31 lbs.)

Stainless Steel

Dimensions: 287mm W x 383mm H

Net Wt.: 19,9 kg (42 lbs.)

Shipping Wt.: 21 kg (46 lbs.)

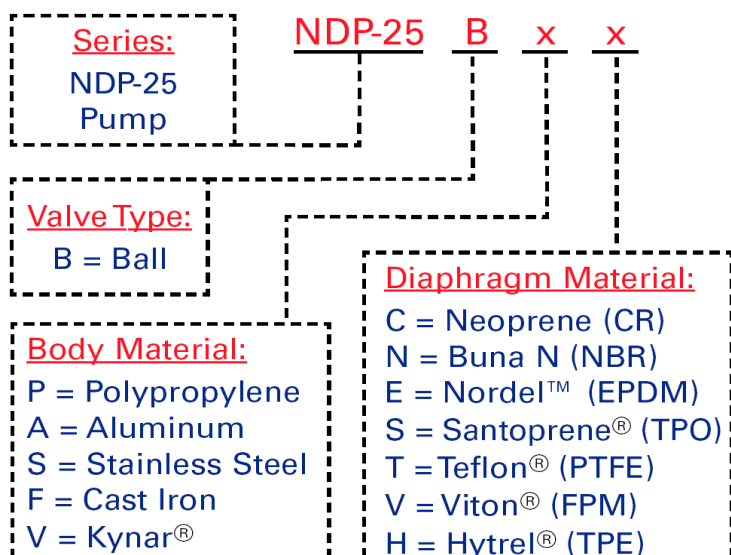
Cast Iron

Dimensions: 287mm W x 383mm H

Net Wt.: 19,9 kg (43 lbs.)

Shipping Wt.: 21 kg (46 lbs.)

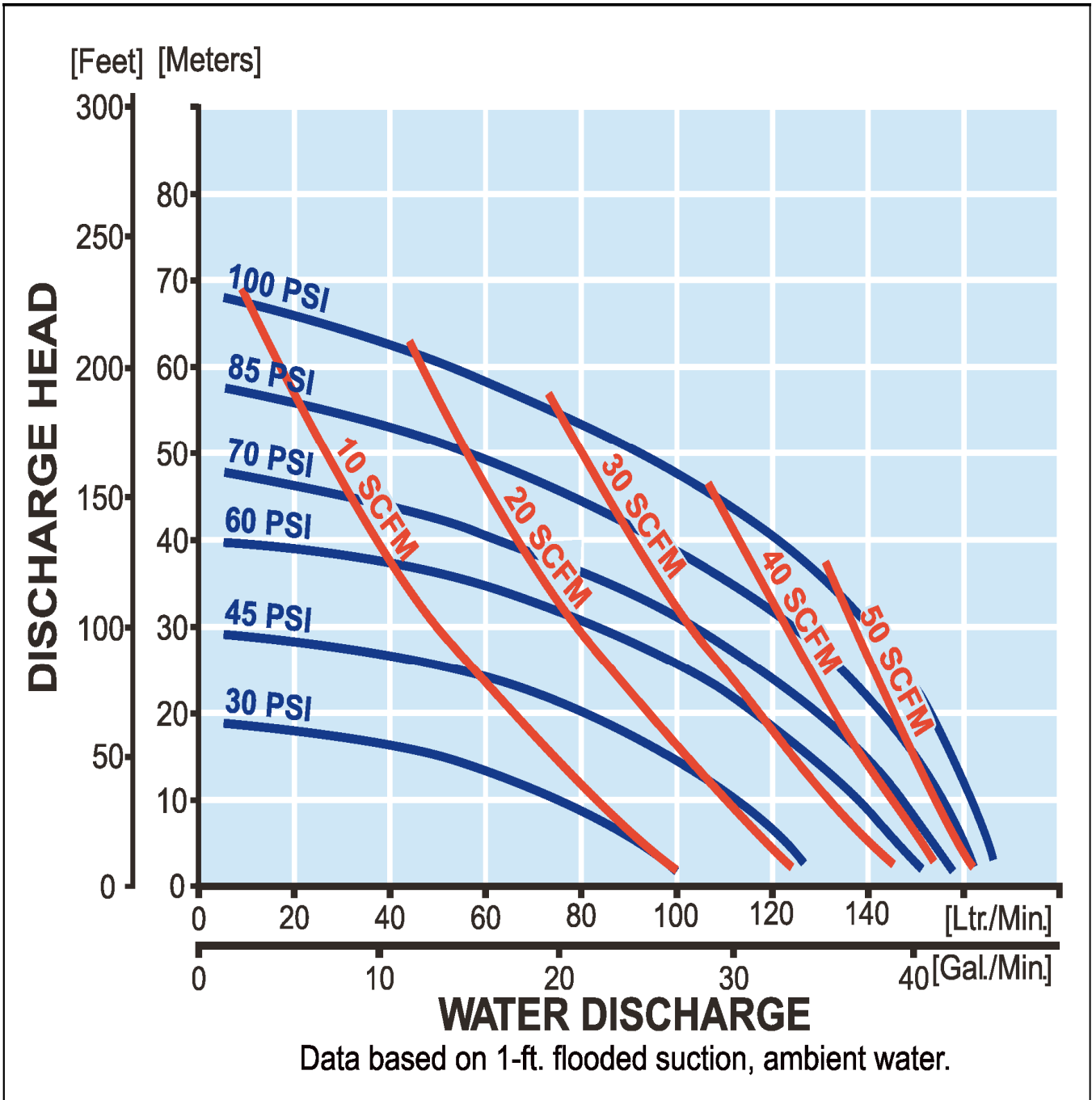
Model Number Nomenclature





NDP-25 Performance Curve - Rubber

All Diaphragm Materials

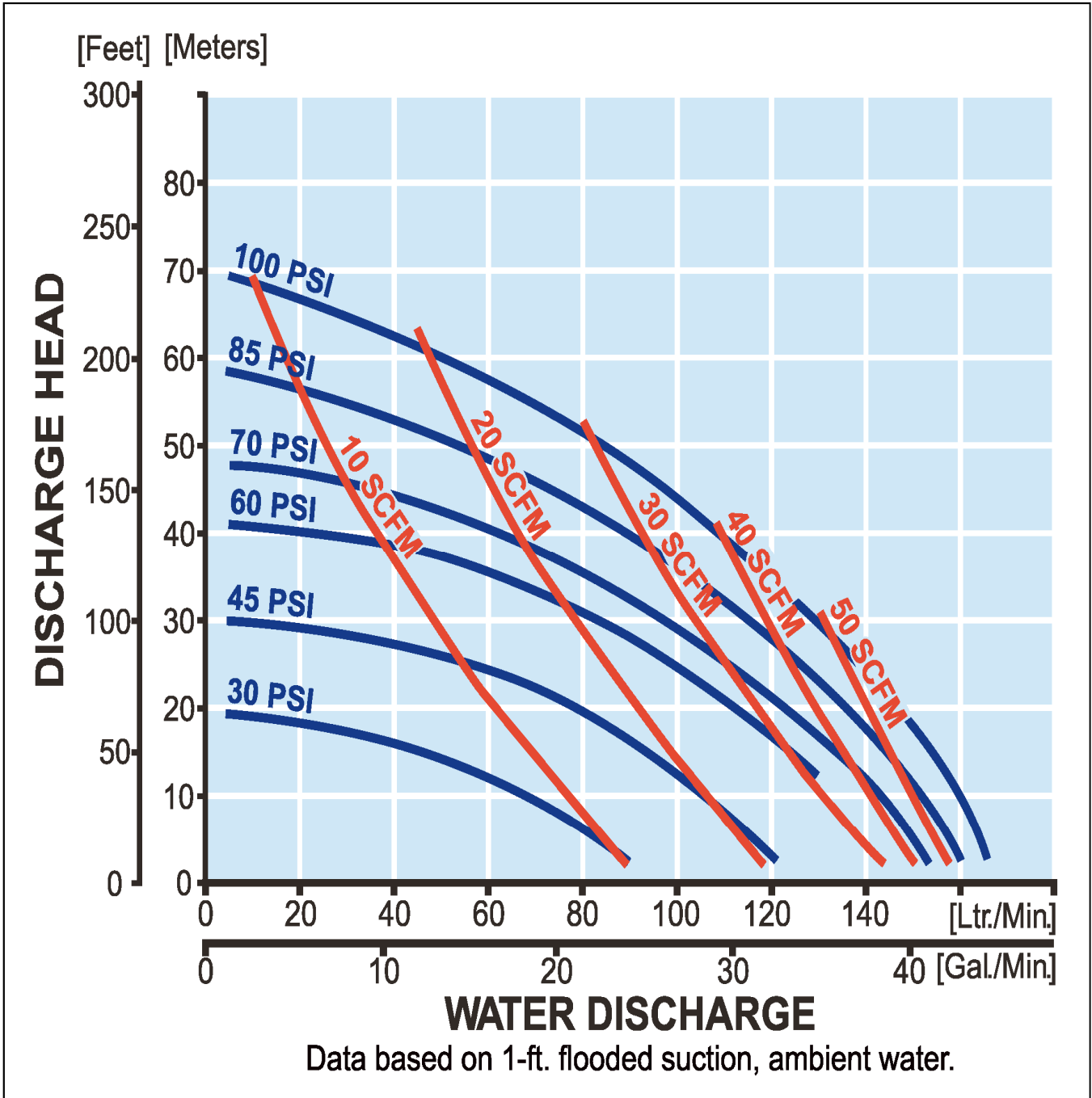


To calculate performance for Santoprene® and Hytrel®-fitted pumps, use Rubber Diaphragm Curve.

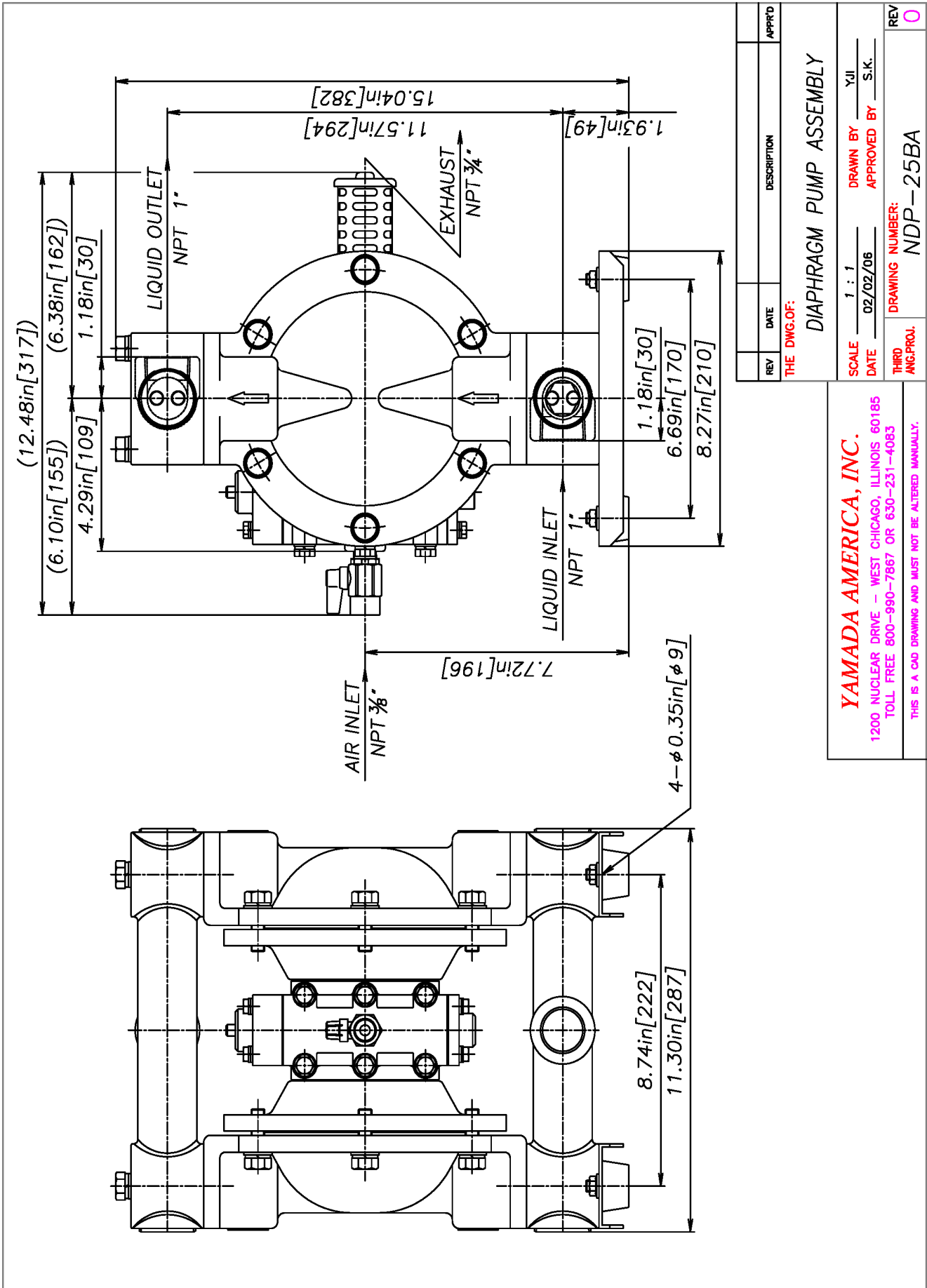


NDP-25 Performance Curve - PTFE

All Diaphragm Materials

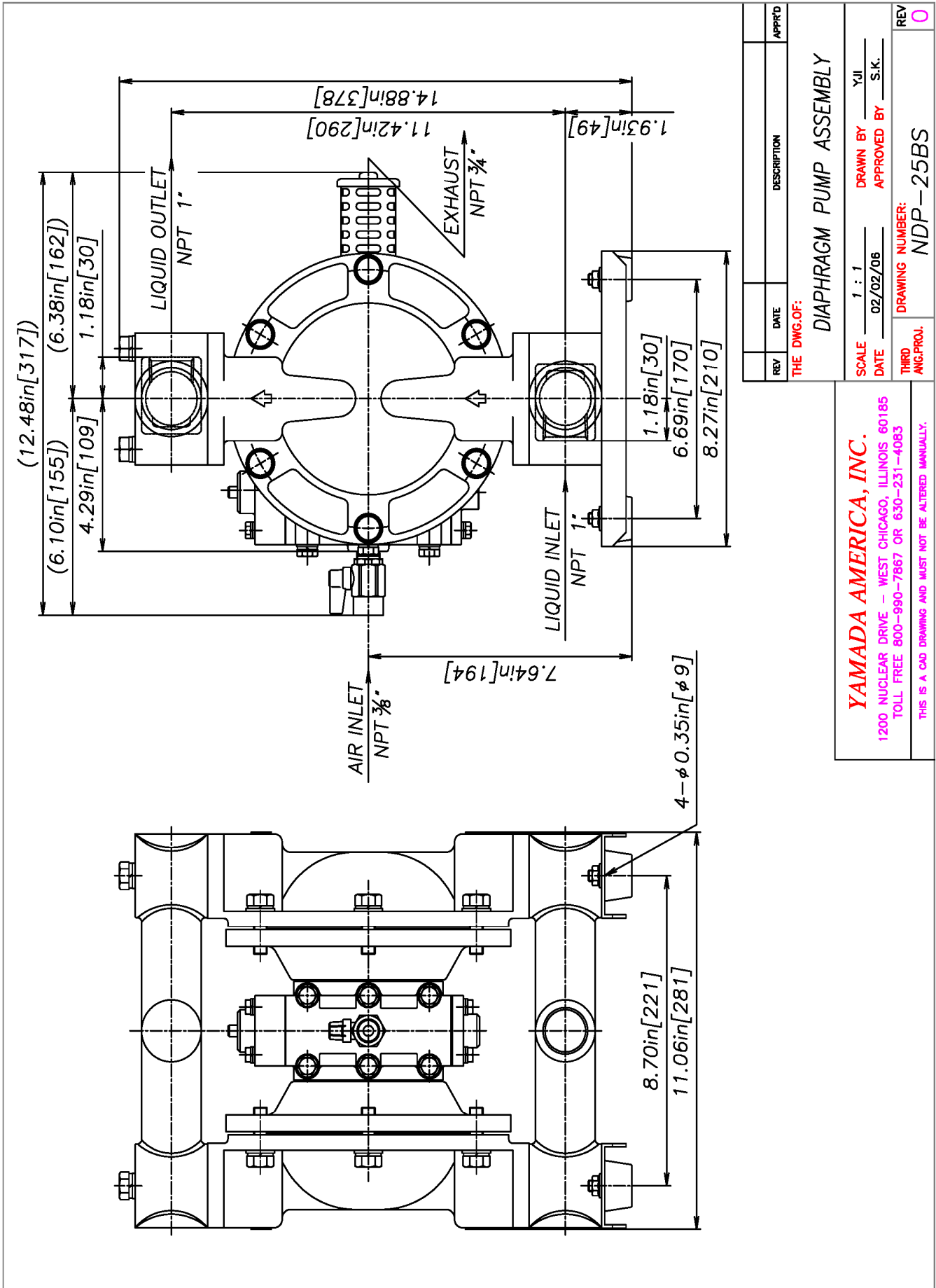


To calculate performance for Santoprene® and Hytrel®-fitted pumps, use Rubber Diaphragm Curve.



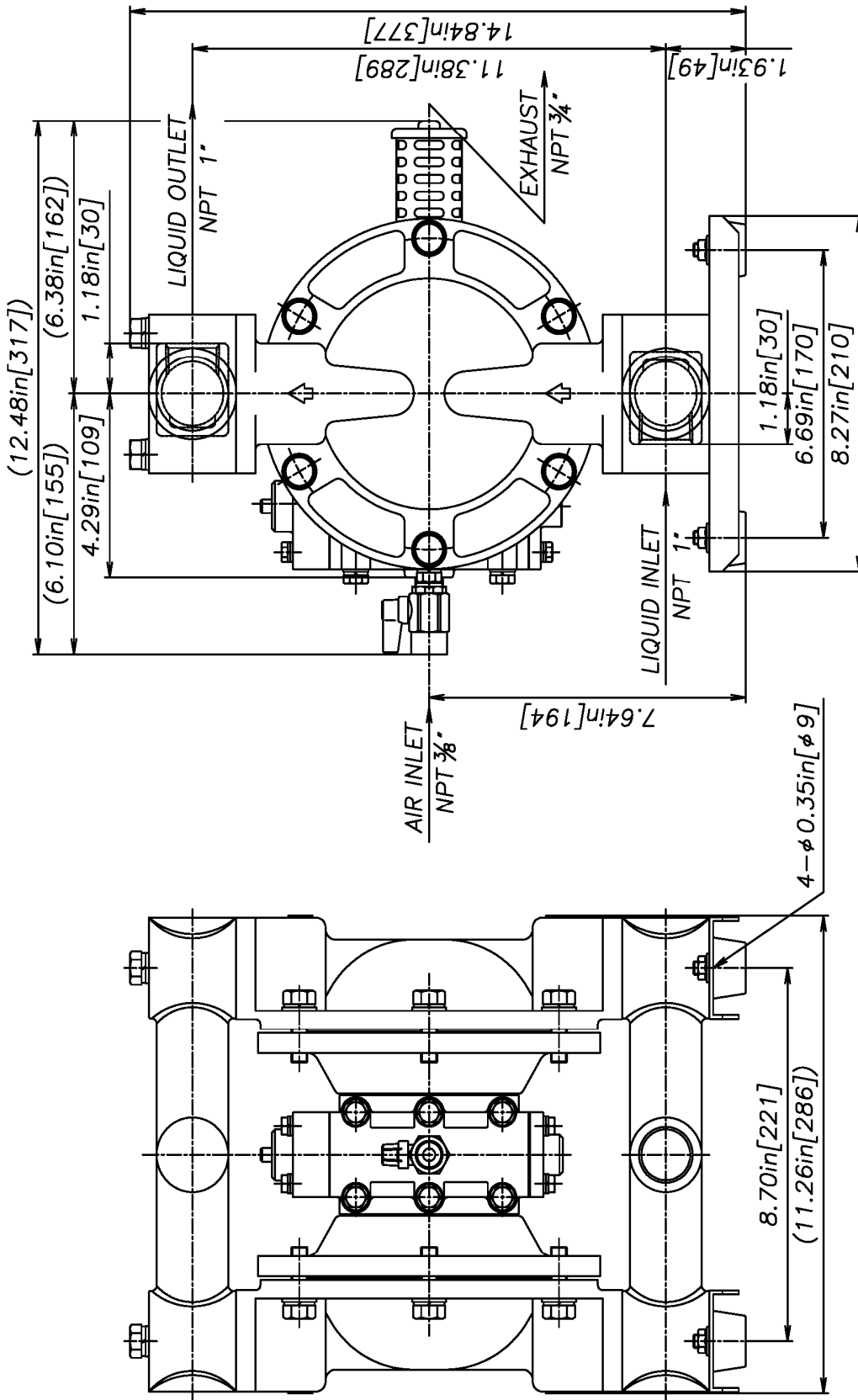
REV	DATE	DESCRIPTION	APPRO'D
THE DWG.OF:			
DIAPHRAGM PUMP ASSEMBLY			
SCALE	1 : 1	DRAWN BY	YJI
DATE	02/02/06	APPROVED BY	S.K.
THIRD ANG.PROJ.	DRAWING NUMBER:		NDP-25BA
REV			0

YAMADA AMERICA, INC.
 1200 NUCLEAR DRIVE - WEST CHICAGO, ILLINOIS 60185
 TOLL FREE 800-990-7867 OR 630-231-4083
 THIS IS A CAD DRAWING AND MUST NOT BE ALTERED MANUALLY.



REV	DATE	DESCRIPTION	APPR'D
THE DWG. OF: DIAPHRAGM PUMP ASSEMBLY			
SCALE 1 : 1		DRAWN BY YJI	
DATE 02/02/06		APPROVED BY S.K.	
THIRD ANG. PROJ.	DRAWING NUMBER: NDP-25BS		REV 0

YAMADA AMERICA, INC.
 1200 NUCLEAR DRIVE - WEST CHICAGO, ILLINOIS 60185
 TOLL FREE 800-990-7867 OR 630-231-4083
 THIS IS A CAD DRAWING AND MUST NOT BE ALTERED MANUALLY.



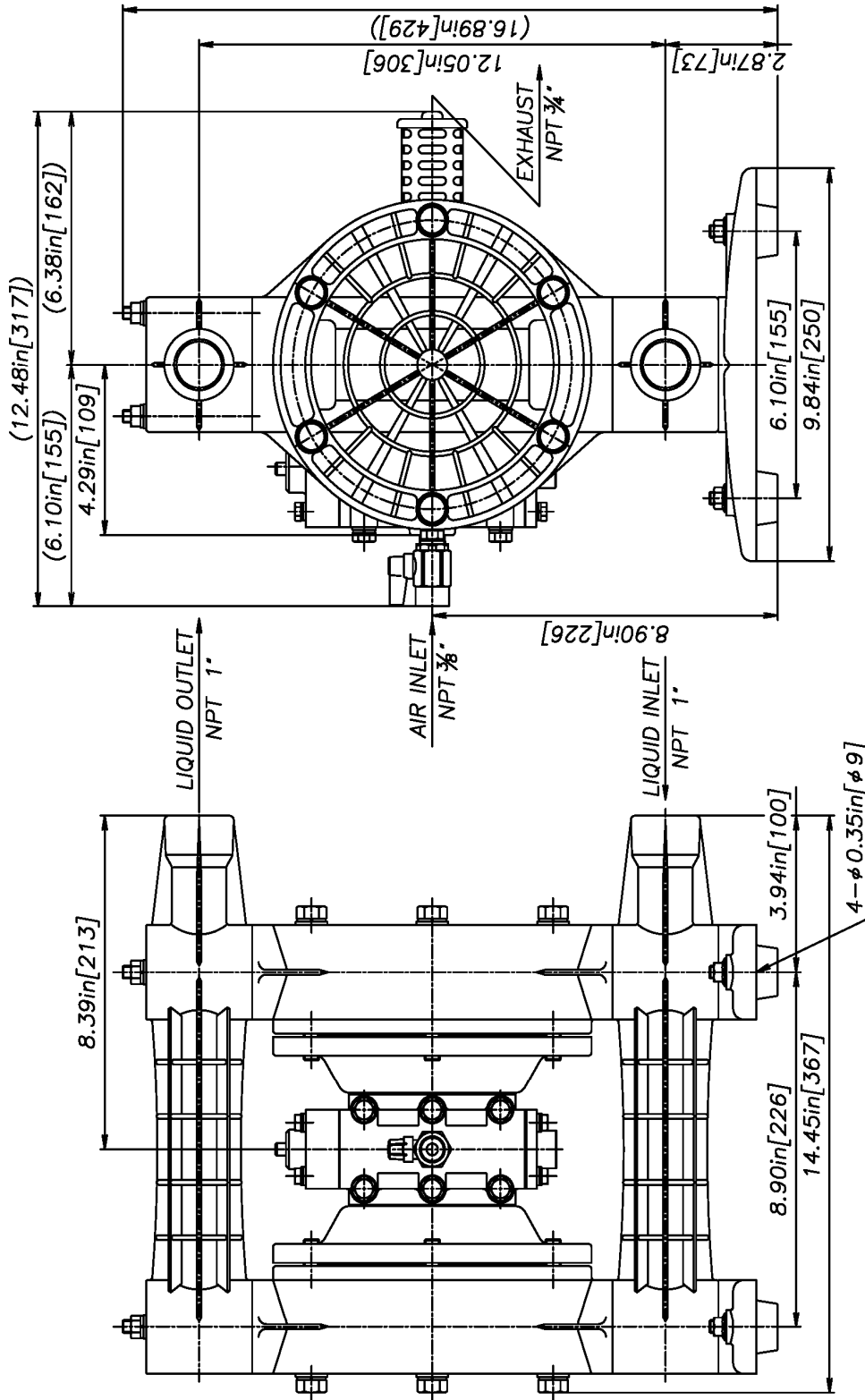
REV	DATE	DESCRIPTION	APPROD

THE DWG. OF: **DIAPHRAGM PUMP ASSEMBLY**

SCALE: 1 : 1 DRAWN BY: YJI
 DATE: 02/02/06 APPROVED BY: S.K.

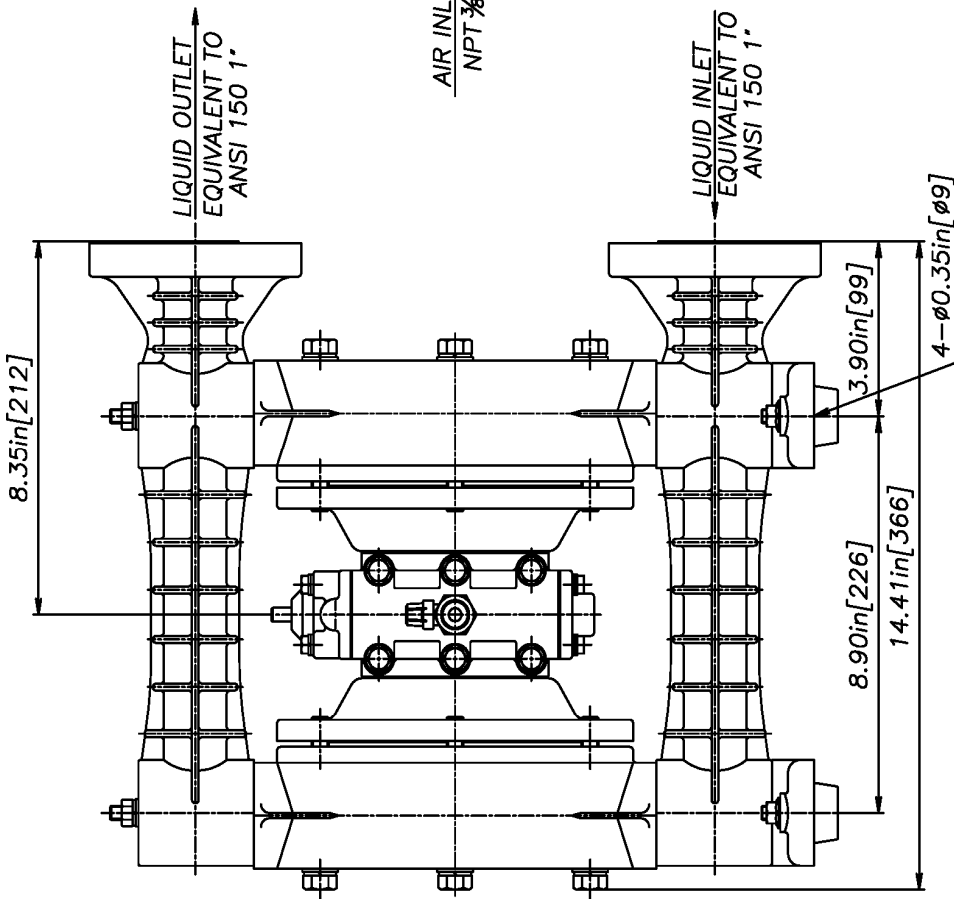
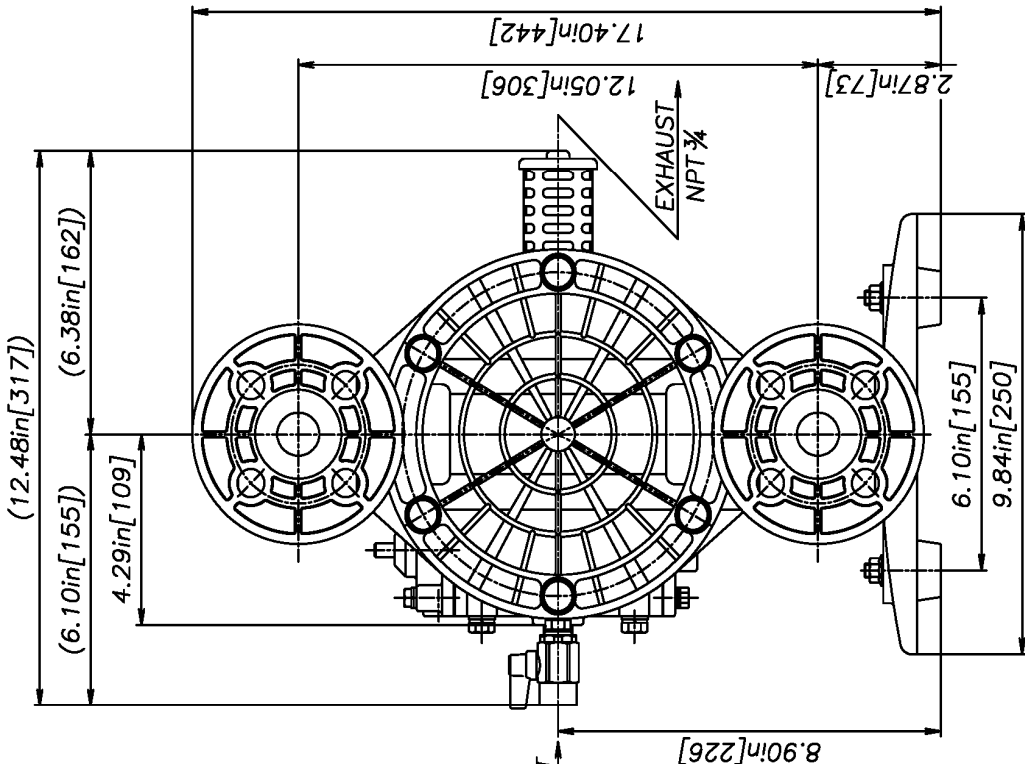
THIRD ANG. PROJ. DRAWING NUMBER: **NDP-25BF** REV: **0**

YAMADA AMERICA, INC.
 1200 NUCLEAR DRIVE - WEST CHICAGO, ILLINOIS 60185
 TOLL FREE 800-990-7867 OR 630-231-4083
 THIS IS A CAD DRAWING AND MUST NOT BE ALTERED MANUALLY.



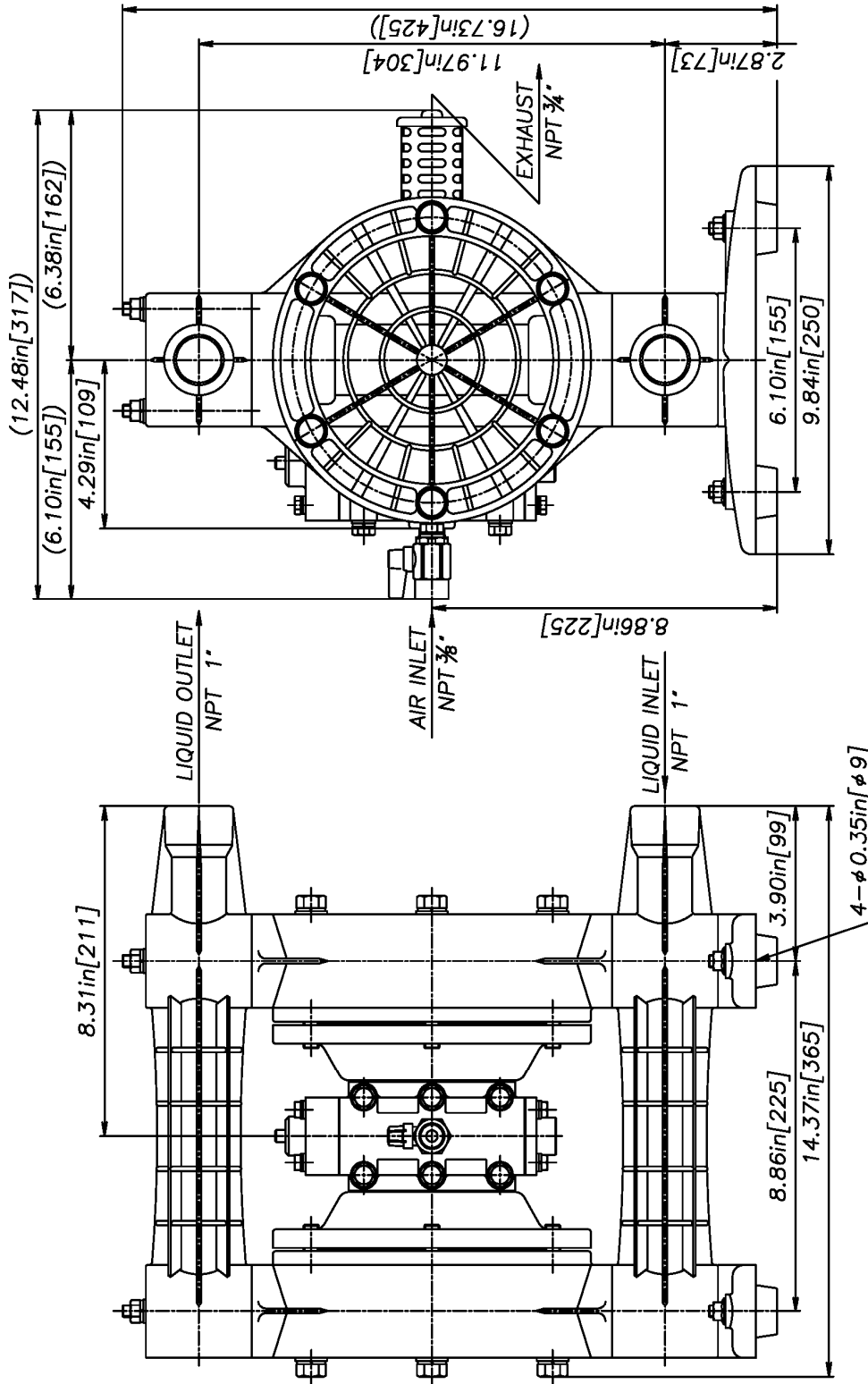
REV	DATE	DESCRIPTION	APPRD
THE DWG. OF:			
DIAPHRAGM PUMP ASSEMBLY			
SCALE 1 : 1		DRAWN BY YJI	
DATE 02/02/06		APPROVED BY S.K.	
THRD	DRAWING NUMBER: NDP-25BP NPT		REV 0
ANG.PROJ.			

YAMADA AMERICA, INC.
 1200 NUCLEAR DRIVE - WEST CHICAGO, ILLINOIS 60185
 TOLL FREE 800-990-7867 OR 630-231-4083
 THIS IS A CAD DRAWING AND MUST NOT BE ALTERED MANUALLY.



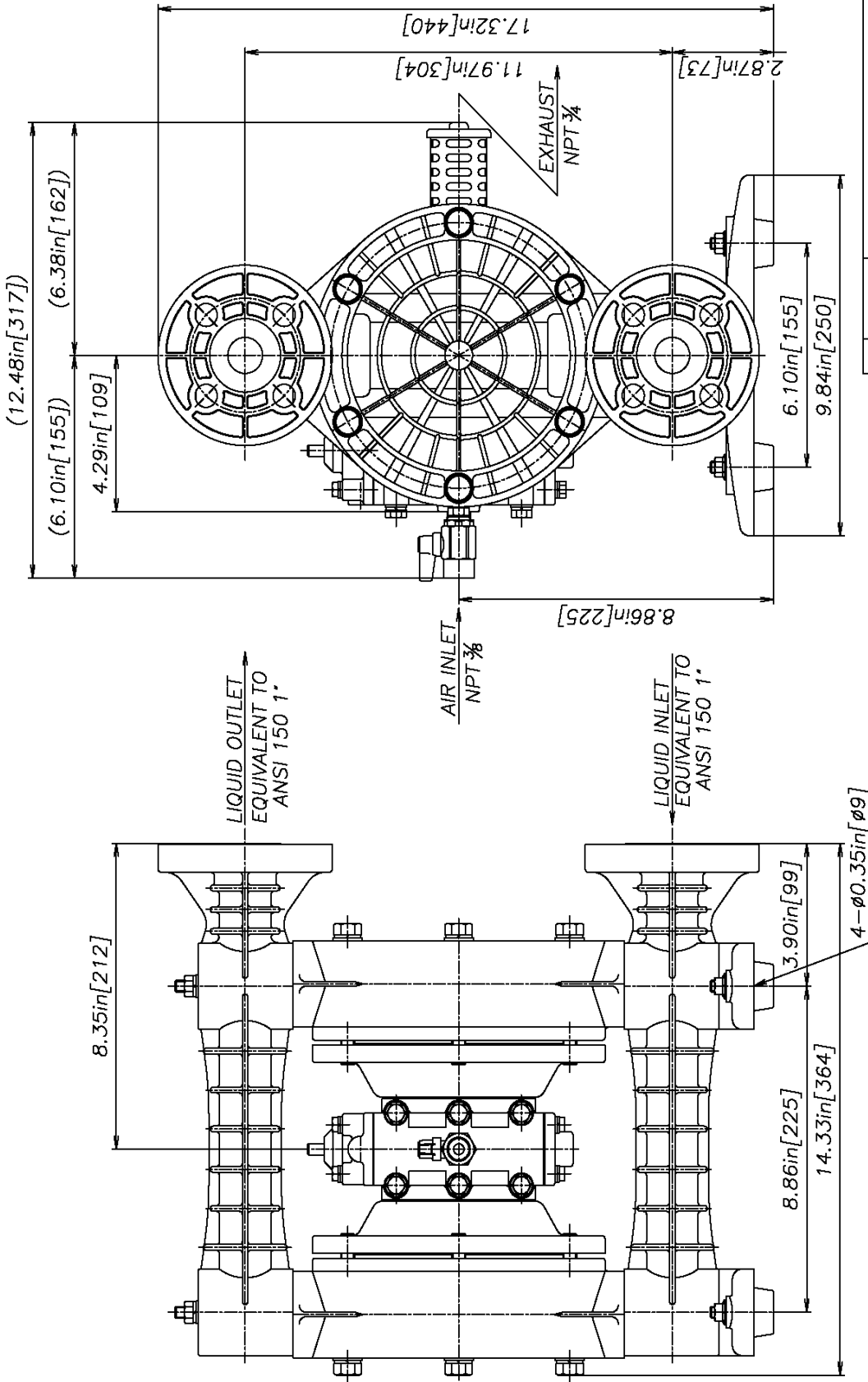
REV	DATE	DESCRIPTION	APPRO
THE DWG.OF:			
DIAPHRAGM PUMP ASSEMBLY			
SCALE	1:1	DRAWN BY	Y.JT
DATE	02/02/06	APPROVED BY	S.K.
THIRD ANGLE PROJ.	DRAWING NUMBER:		REV
	NDP-25BP FLANGE		0

YAMADA AMERICA, INC.
 1200 NUCLEAR DRIVE - WEST CHICAGO, ILLINOIS 60185
 TOLL FREE 800-990-7867 OR 630-231-4083
 THIS IS A CAD DRAWING AND MUST NOT BE ALTERED MANUALLY.



REV	DATE	DESCRIPTION	APPR'D
THE DWG. OF: DIAPHRAGM PUMP ASSEMBLY			
SCALE 1 : 1		DRAWN BY YJI	
DATE 02/02/06		APPROVED BY S.K.	
THIRD ANG. PROJ.	DRAWING NUMBER: NDP-25BV NPT		REV 0

YAMADA AMERICA, INC.
 1200 NUCLEAR DRIVE - WEST CHICAGO, ILLINOIS 60185
 TOLL FREE 800-990-7867 OR 630-231-4083
 THIS IS A CAD DRAWING AND MUST NOT BE ALTERED MANUALLY.



REV	DATE	DESCRIPTION	APPROD
THE DWG. OF:			
DIAPHRAGM PUMP ASSEMBLY			
SCALE	1 : 1	DRAWN BY	YJJ
DATE	02/02/06	APPROVED BY	S.K.
THIRD ANGRPROL.	DRAWING NUMBER:	NDP-25BV FLANGE	
REV	0		

YAMADA AMERICA, INC.
 1200 NUCLEAR DRIVE - WEST CHICAGO, ILLINOIS 60185
 TOLL FREE 800-990-7867 OR 630-231-4083
 THIS IS A CAD DRAWING AND MUST NOT BE ALTERED MANUALLY.



AutoCAD® is a registered trademark of Autodesk, Inc.

Hytrel® is a registered trademark of E.I. du Pont de Nemours and Company.

Kynar® is a registered trademark of Arkema.

Nordel™ is a trademark of DuPont Dow Elastomers.

Ryton® is a registered trademark of Chevron Phillips Chemical Company.

Santoprene® is a registered trademark of Advanced Elastomers Systems.

Swagelok® & VCR® are trademarks of the Swagelok Companies.

Teflon® is a registered trademark of E.I. du Pont de Nemours and Company.

Viton® is a registered trademark of DuPont Performance Elastomers.

Due to Yamada's continued commitment to product improvement, specifications may change without notice.