

Thomson Compact Linear Systems

Installation Manual

Edition 2022-09

Version history

Edition	Reason for revision
2022-09	First edition

Warranty

The Thomson compact linear system is warranted to be free from defects in materials and workmanship for a period of twelve (12) months from date of delivery. The application of this product is the responsibility of the buyer and Thomson makes no representation or warranty as to the suitability of the product for any particular use or purpose. For a copy of the entire warranty for this product that is contained in our standard terms and conditions of sale, please go to http://www.thomsonlinear.com/website/com/eng/support/terms_and_conditions.php.

Disclaimer

Technical changes to improve the performance of the equipment may be made without prior notice!

All rights reserved. No part of this work may be reproduced in any form (by printing, photocopying, microfilm or any other method) or processed, copied or distributed by electronic means without the written permission of Thomson.

Contents

- 1. General 4**
 - 1.1 About this manual 4
 - 1.2 Target group 4
 - 1.3 Symbols used 4
 - 1.4 Transport and storage 4
 - 1.5 Packaging 4
 - 1.6 Disposal 4
 - 1.7 Support 4

- 2. Safety 5**
 - 2.1 Safety notes 5

- 3. Standards 6**
 - 3.1 EC Declaration of incorporation of partly completed machinery 6

- 4. Installation 7**
 - 4.1 Product label 7
 - 4.2 Terminology 7
 - 4.3 Operation environment 7
 - 4.4 Mechanical installation 8
 - 4.4.1 General installation safety notes 8
 - 4.4.2 Basic installation considerations 8
 - 4.4.3 Mounting surface 8
 - 4.4.4 Mounting of CLSH and CLSV units 9
 - 4.4.5 Mounting of CLSR units 9
 - 4.4.6 Recommended bolt tightening torque table 9
 - 4.5 Electrical installation 10
 - 4.5.1 General notes 10
 - 4.5.2 Electrical connections 10
 - 4.5.3 Wiring diagram 10
 - 4.6 Stepper motor control 11
 - 4.6.1 Driving the stepper motor 11
 - 4.6.2 Power supply voltage 11

- 5. Technical specifications 12**
 - 5.1 Technical data 12
 - 5.2 Ordering key 13

1. General

1.1 About this manual

This manual contains mechanical and electrical installation instructions for the Thomson compact linear systems. It also contains, among other things:

- technical data
- installation data
- type designation key.

It is important to carefully read this manual before installing the linear system and to have the correct qualifications needed to perform the installation.

1.2 Target group

This manual addresses qualified mechanical and electrical personnel.

1.3 Symbols used



This symbol is shown to highlight a general warning, general instruction or as a warning for a mechanical hazard.

1.4 Transport and storage

The linear system may only be transported and stored in the original packaging supplied by Thomson. The temperature during transportation and storage must be between -40 to $+85^{\circ}\text{C}$ (-40 to $+185^{\circ}\text{F}$). Avoid shocks to the package. If the package is damaged, check the linear system for visible damage and notify the carrier, and if appropriate also Thomson.

1.5 Packaging

The packaging consists of a cardboard box. The box contains the linear system and this manual. For large quantity orders, bulk packaging may be used in which case the packaging and the content will vary depending on the order agreement.

1.6 Disposal

Where required by law, used packaging and linear systems are taken back by Thomson for professional disposal if the transportation cost is paid by the sender. Please contact Thomson for shipping information.

1.7 Support

If technical support or information is needed for this product, please contact the nearest Thomson Service Center. See the back of this manual. You can also visit www.thomsonlinear.com for information on this product and how to contact us.

2. Safety

2.1 Safety notes



- Only properly qualified personnel are permitted to perform mechanical and electrical installation of this product. Properly qualified personnel are familiar with mechanical or electrical installation work and have the appropriate qualifications for their job.
- Read this manual and any other available documentation before working on the equipment that the actuator is or shall be a part of.
- Conform strictly to the information contained in this manual and on the product label. Never exceed the performance limits stated herein.
- Never work on the linear system or its installation with the power on.
- Never unplug any cables or connectors during operation or with power on.
- Immediately stop using the linear system if it seems faulty or damaged in any way and notify an appropriate person so that corrective actions can be taken.
- Grease may be present on some of the linear system screw and guide surfaces. Contact is non-hazardous. Film should not be removed.

3. Standards

3.1 EC Declaration of incorporation of partly completed machinery

Declaration of Incorporation of Partly Completed Machinery (Annex II 1 B of Machinery Directive 2006/42/EC)

Manufacturer:

Thomson Industries Inc.
1500 N Mittel
Wood Dale, IL 60191
United States

Description and Identification of the Partly Completed Machinery:

Designation: Compact Linear systems
Series: CLSH, CLSV, CLSR
Sizes: 8, 11, 14, 17, 23

The following essential requirements of Machinery Directive 2006/42/EC have been applied and fulfilled:

Annex I, sections 1.1.2, 1.1.3, 1.1.5, 1.3.2, 1.3.4, 1.6.4, 1.7.1, 1.7.3, 1.7.4, 2.2.2.2, 4.1.3

The relevant technical documentation has been compiled in accordance with Annex VII, part B of Machinery Directive 2006/42/EC. Upon reasonable request, Thomson will supply the documentation in an electronic format to the responsible governing authorities within a reasonable timeframe.

The party authorized to compile the technical documentation is:

Julian Anton & Ivan Lopez (Product Design Engineers)

The partly completed machinery must not be put into service until the final machinery of which it is to be incorporated in has been declared to be in conformance of the Machinery Directive.

James Marek (VP of Engineering)

Wood Dale, 2022-09-06
(Location, date)

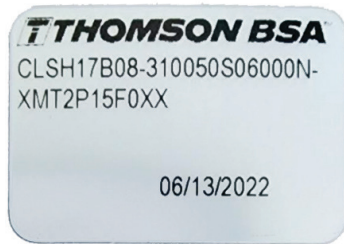


(Signature)

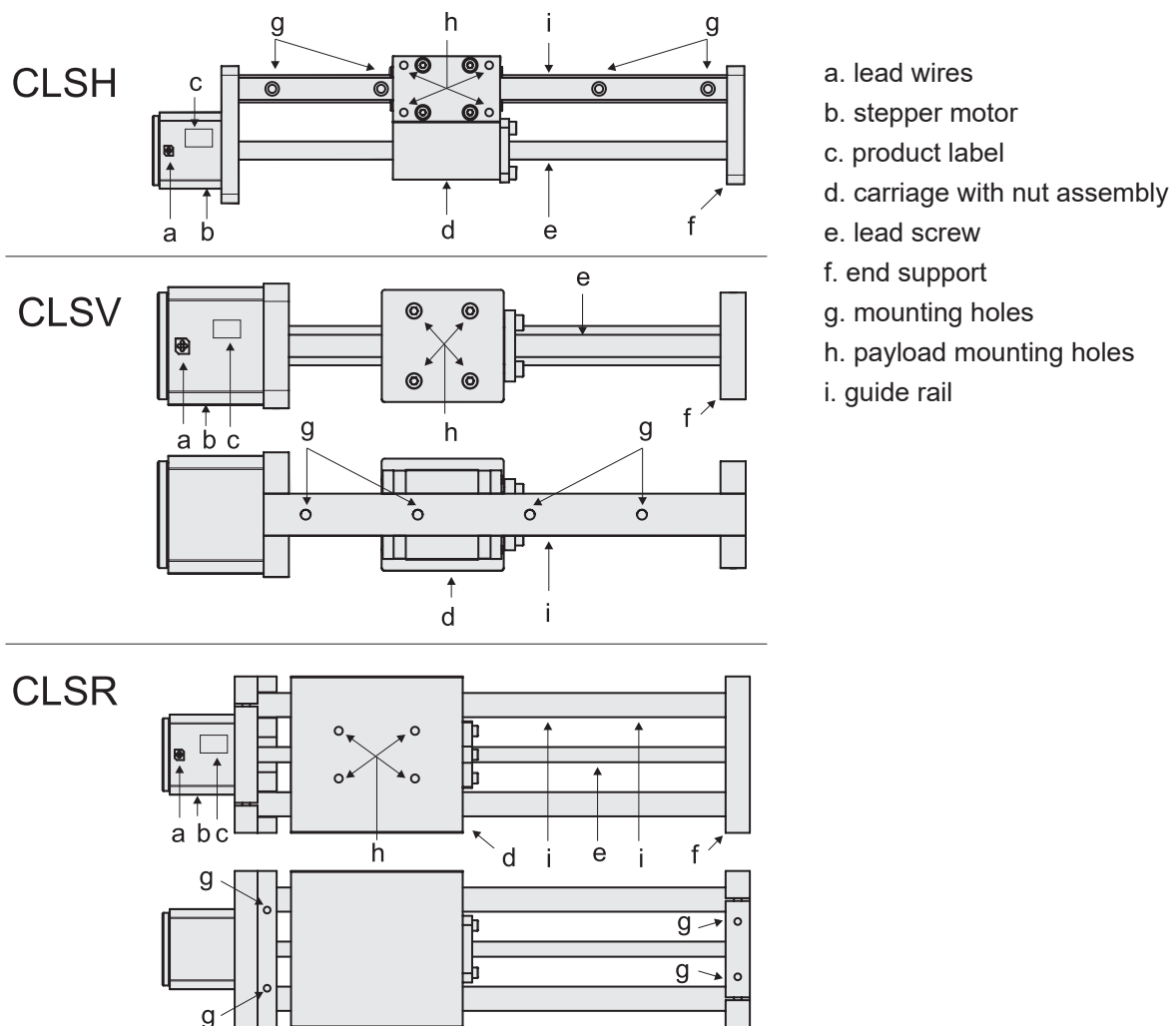
4. Installation

4.1 Product label

The product label can be found on the side of the motor case. It will tell you the model of the linear system and the manufactured date. Please review the product label to determine linear system type before starting any installation or service of the linear system. If you need any assistance from Thomson, please provide the part number and the manufacturing date of the linear system(s) in question.



4.2 Terminology



4.3 Operation environment



Min. -4° F (-20° C)



Max. +122° F (+50° C)



IP40

1. Operation temperature range is -4 to +122° Fahrenheit (-20 to 50° Celsius).
2. Protection degree against ingress of water and particles is IP40.
3. Max non-condensing humidity is 85%.

4.4 Mechanical installation

4.4.1 General installation safety notes



- Never work on the linear system with the power switched on.
- Keep hands clear while the unit is energized.
- Pinch points are present between the end support/motor mount and carriage.
- Failure modes of the linear system should be considered to ensure it does not create harm.

4.4.2 Basic installation considerations

1. Only mount the linear system using the designated mounting holes on the guide rail (CLSH and CLSV) or mounting blocks (CLSR). Check the part number on the product label (section 4.1) and cross reference with the ordering key (section 6.2) to determine which mounting style is used in your assembly.
2. Make sure that the linear system mounting position allows access to the lead wires so that it can be properly connected and powered on.
3. Make sure that there is enough clearance surrounding the carriage to allow it to freely move.

4.4.3 Mounting surface

1. The mounting surface should be flat and free from any dust, dirt or debris.
2. The surface must be straight so that it does not bend, twist or skew the unit (a).

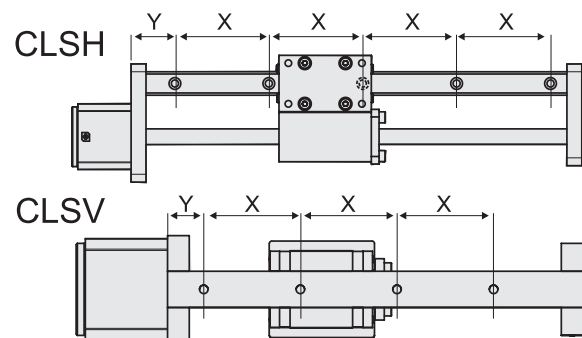
a.



4.4.4 Mounting of CLSH and CLSV units

1. The mounting holes are situated in the guide rail. Their exact position and dimensions depend on the size of the profile rail and can be found in the table below.
2. The first mounting hole (Y) on the motor side has a positional tolerance of ± 1.0 mm from the end of the guide rail.
2. The positional tolerance between the rest of the mounting holes (X) are 0.5 mm.
5. When bolting the unit to the surface, first insert screws in the mounting holes and tighten lightly. Then starting from the center of the rail moving outwards, tighten each screw to the recommended tightening torque listed in the table in section 4.4.6.

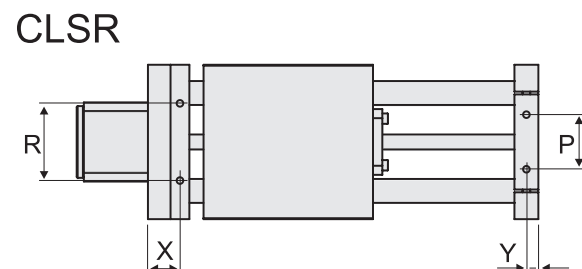
CLSH/CLSV mounting holes			
Style	Size	X [mm]	Y [mm]
CLSH	15F	60	20
CLSV	9A	20	7.5
CLSV	12A	25	10
CLSV	15A	40	15
CLSV	15F	60	20



4.4.5 Mounting of CLSR units

1. The mounting holes are situated in the end supports (Z). Their exact position and dimensions depend on the size of the round rail and motor size and can be found in the table below.
2. When bolting the unit to the surface, first insert screws in the mounting holes and tighten lightly. Then tighten each screw to the recommended tightening torque listed in the table in section 4.4.6.

CLSR mounting holes					
Motor Size	Bearings	P [mm]	R [mm]	X [mm]	Y [mm]
NEMA 23	R08	29.0	60.0	17	6.35
NEMA23	R06	20.5	60.0	17	6.35
NEMA 17	R08	29.0	64.75	17	6.35
NEMA 17	R06	20.5	60.5	17	6.35



4.4.6 Recommended bolt tightening torque table

Recommended bolt tightening torque [Nm]									
Class	Size								
	M2.5	M4	M5	M6	M8	M10	M12	M14	M16
8.8	0.7	2.8	5.7	9.5	23	46	80	129	198
12.9	1.2	4.6	9.5	16	39	77	135	215	330

4.5 Electrical installation

4.5.1 General notes



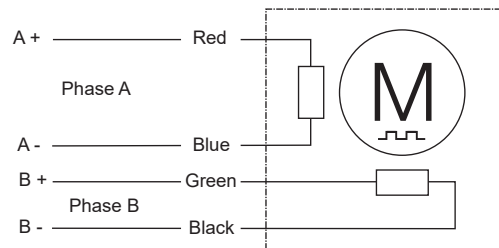
- Make sure the leads/cables leading to the motor can handle the maximum motor current.
- Do not exceed the peak current of the motor. Peak current is $1.41 \times$ RMS current.
- An emergency stop is recommended to reduce the chance of a crushing hazard.
- Never work on the linear system or the wiring with the power switched on.

4.5.2 Electrical connections

The linear system motor is always supplied with flying lead wires that are attached to the stepper motor. These lead wires are used to connect to the stepper motor and drive the carriage. Depending on the configuration, motors have various wire gauge sizes. The standard gauges are outlined in the table below.

Configuration	Wire gauge
NEMA14Axx	26 AWG
NEMA17Axx	26 AWG
NEMA17Bxx	26 AWG
NEMA23Axx	22 AWG
NEMA23Bxx	22 AWG

4.5.3 Wiring diagram



Motor wiring	
Lead color	Motor phase
Blue	A -
Red	A +
Black	B -
Green	B+

4.6 Stepper motor control

4.6.1 Driving the stepper motor

There are many possible ways to drive a stepper motor. The most common way is to use a constant current or “chopper” drive. A chopper drive works by limiting the current into the stepper motor and “chopping” the voltage, allowing for maximum torque output from the motor. When using this type of drive, it is important to input the appropriate amount of current to maximize torque output and prevent damage to the motor. Recommended drive currents are determined using the following equations, where RMS current is the motor rated current found in the brochure:

When full stepping:

Drive current = RMS current

When micro stepping:

Drive current = peak current = 1.41 × RMS current

Drive current of standard configurations			
Configuration	Rated RMS motor current [A]	Drive current @ full stepping [A]	Drive current @ micro stepping [A]
CLSx14A08	0.88	0.88	1.24
CLSx14A13	1.35	1.35	1.90
CLSx17A10	1.00	1.00	1.41
CLSx17A15	1.50	1.50	2.12
CLSx17B10	1.00	1.00	1.41
CLSx17B15	1.50	1.50	2.12
CLSx23A15	1.55	1.55	2.19
CLSx23A30	3.00	3.00	4.23
CLSx23B19	1.90	1.90	2.68
CLSx23B39	3.90	3.90	5.50

4.6.2 Power supply voltage

When using a current limiting “chopper” drive, power supply voltage selection is completely dependent on your requirements and/or voltage availability. The voltage input into the motor impacts the performance of the stepper in regards to speed. For example, a stepper motor will usually perform better at higher speeds when a higher voltage is utilized. Typical voltage ranges are 12, 24 and 40 Vdc. All performance diagrams in the Compact Linear Systems brochure are generated with either 24 or 40 Vdc power supplies.

5. Technical specifications

5.1 Technical data

Lead Screw				
Material	300 Series Stainless Steel			
Standard Coating ¹	None			
Standard Lead Accuracy	[in./ft. (µm/300 mm)]	0.010 (250)		
Precision Lead Accuracy	[in./ft. (µm/300 mm)]	0.003 (75)		
Straightness	[in./ft. (µm/300 mm)]	0.005 (125)		
Lead Nut				
Standard Material	Internally lubricated acetal			
High Performance Material	Internally lubricated engineered thermoplastic			
Nut Efficiency ²	[%]	Up to 85		
Typical Linear Travel Life	[in. (km)]	10 × 10 ⁶ (250)		
Positional Repeatability with Standard Nut ³	[in. (mm)]	0.005 to 0.010 (0.127 to 0.254)		
Positional Repeatability with Anti-Backlash Nut ⁴	[in. (mm)]	<0.002 (0.051)		
Motor				
Frame Size		NEMA 14	NEMA 17	NEMA 23
Step Size	[°]	1.8	1.8	1.8
Concentricity of Mounting Pilot to Shaft	[in. (mm)]	0.003 (0.08) TIR		
Perpendicularity of Shaft to Mounting Face	[in. (mm)]	0.003 (0.08) TIR		
Max. Case Temperature	[°F (°C)]	176 (80)		
Storage Temperature	[°F (°C)]	-4 to 122 (-20 to 50)		
Ambient Temperature	[°F (°C)]	-4 to 122 (-20 to 50)		
Max. Humidity (non-condensing)	[%]	85		
Magnet Wire Insulation		Class B 130 °C (266 °F)		
Insulation Resistance		100 Mohm @ 500 VDC		
Dielectric Strength		500 VAC for 1 minute		
Assembly				
Max. Backlash with Standard Nut ⁵	[in. (mm)]	0.010 (0.25)		
Operating Temperature	[°F (°C)]	15 to 125 (-10 to 50)		

1. Contact Thomson for optional lead screw coatings.

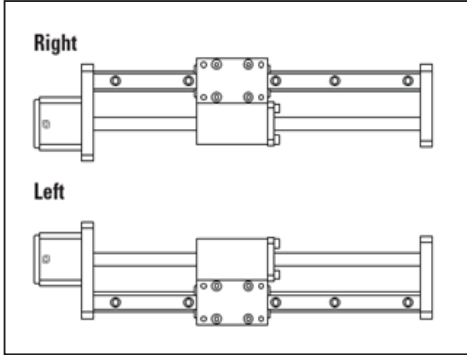
2. Depending on lead, nut material and lubrication.

3. Depends on nut, load and orientation.

4. For best positional repeatability, load should be kept well below design system.

5. Nut fit can be adjusted depending on backlash requirements.

5.2 Ordering Key

Ordering Key																	
1	2	3	4	5	6	7	8	9	10	11	12	13	14	15	16	17	18
CLSV	14	A	13	31	0500	S	06000	N	X	MT	2	P	09	A	0	XX	
<p>1. Series CLSV = Vertical Architecture CLSH = Horizontal Architecture CLSR = RoundRail Architecture</p> <p>2. Motor size 14 = NEMA 14 17 = NEMA 17 23 = NEMA 23</p> <p>3. Motor stack A = Single B = Double</p> <p>4. Motor current rating 08 = 0.8 A 10 = 1.0 A 13 = 1.3 A 15 = 1.5 A 19 = 1.9 A 30 = 3.0 A 39 = 3.9 A</p> <p>5. Screw diameter 31 = 0.3125 in 37 = 0.3750 in M08 = 8.0 mm M10 = 10.0 mm</p> <p>6. Linear travel/rev 0050 = 0.050 in 0063 = 0.063 in 0079 = 0.079 in 0083 = 0.083 in 0100 = 0.100 in 0125 = 0.125 in 0167 = 0.167 in 0200 = 0.200 in 0250 = 0.250 in 0300 = 0.300 in 0375 = 0.375 in 0500 = 0.500 in 0750 = 0.750 in 1000 = 1.000 in 1200 = 1.200 in 020 = 2.0 mm 030 = 3.0 mm 040 = 0.4 mm 050 = 5.0 mm 060 = 0.6 mm 080 = 0.8 mm 100 = 10.0 mm 120 = 12.0 mm 200 = 20.0 mm</p>					<p>7. Accuracy grade S = Standard 0.010 in/ft (250 µm/300 mm) P = Precision 0.003 in/ft (125 µm/300 mm)</p> <p>8. Stroke length 06000 = 6 in (when inch screw diameters) 15000 = 15 mm (when metric screw diameters)</p> <p>9. Lead screw coating N = None T = PTFE</p> <p>10. Motor/Rail Orientation X = For CLSV and CLSR L = Left (CLSH only), see image below R = Right (CLSH only), see image below</p> <p>11. Nut MT = Flange Mount (MTS Series) XF = Triangular Flange, Anti-backlash (XC Series)</p> <p>12. Nut size 2 = 0.3125 in and 8 mm screws for MT nut 3 = 0.3125 in and 8 mm screws for XF nut, 0.375 in and 10 mm screws for MT and XF nuts</p>					<p>13. Linear Bearing Type P = Profile Rail R = Roundrail</p> <p>14. Linear Bearing Sizes 09 = Profile Rail, Size 9 12 = Profile Rail, Size 12 15 = Profile Rail, Size 15 06 = Round Rail, 3/8" 08 = Round Rail, 1/2"</p> <p>15. Bearing Designation A = Standard S = Super smart C = Corrosion resistant D = Super smart + corrosion resistant F = 400 Series Profile Rail</p> <p>16. Limit Switches 0 = No limit switches</p> <p>17. Encoder XX = No Encoder</p> <p>18. Custom designation (blank) = Standard configuration 001-999 = Custom configuration</p>							
																	

EUROPE**United Kingdom**

Thomson
Office 9, The Barns
Caddsdow Business Park
Bideford, Devon, EX39 3BT
Phone: +44 1271 334 500
E-mail: sales.europe@thomsonlinear.com

Germany

Thomson
Nürtinger Straße 70
72649 Wolfschlügen
Phone: +49 7022 504 403
Fax: +49 7022 504 405
E-mail: sales.europe@thomsonlinear.com

France

Thomson
Phone: +33 243 50 03 30
E-mail: sales.europe@thomsonlinear.com

Italy

Thomson
Via per Cinisello 95/97
20834 Nova Milanese (MB)
Phone: +39 0362 366406
Fax: +39 0362 276790
E-mail: sales.italy@thomsonlinear.com

Sweden

Thomson
Estridsväg 10
29109 Kristianstad
Phone: +46 44 590 2400
Fax: +46 44 590 2585
E-mail: sales.europe@thomsonlinear.com

USA, CANADA and MEXICO

Thomson
203A West Rock Road
Radford, VA 24141, USA
Phone: 1-540-633-3549
Fax: 1-540-633-0294
E-mail: thomson@thomsonlinear.com
Literature: literature.thomsonlinear.com

ASIA**Asia Pacific**

Thomson
E-mail: sales.apac@thomsonlinear.com

China

Thomson
Rm 805, Scitech Tower
22 Jianguomen Wai Street
Beijing 100004
Phone: +86 400 606 1805
Fax: +86 10 6515 0263
E-mail: sales.china@thomsonlinear.com

India

Kollmorgen – Div. of Altra Industrial Motion
India Private Limited
Unit no. 304, Pride Gateway,
Opp. D-Mart,
Baner Road, Pune, 411045
Maharashtra
Phone: +91 20 67349500
E-mail: sales.india@kollmorgen.com

South Korea

Thomson
3033 ASEM Tower (Samsung-dong)
517 Yeongdong-daero
Gangnam-gu, Seoul, South Korea (06164)
Phone: + 82 2 6001 3223 & 3244
E-mail: sales.korea@thomsonlinear.com

SOUTH AMERICA**Brazil**

Thomson
Av. João Paulo Ablas, 2970
Jardim da Glória - Cotia SP - CEP: 06711-250
Phone: +55 11 4615 6300
E-mail: sales.brasil@thomsonlinear.com

