



Electrak[®] HD Actuators

Tested to Endure the Harshest of Environments and Conditions

Built to Perform, Tested to Last

Thomson Electrak HD industrial linear actuators continue to find their way into more and more machine designs thanks in part to their heavy duty construction and unparalleled durability. Their performance capabilities are no accident, however. Electrak HD actuators have undergone extensive testing during the development process and passed the toughest technical and environmental standards. These measures help ensure customers benefit from:

- 100% performance-tested actuators
- peace of mind in Electrak HD's daily performance
- long, trouble-free and safe operation
- superior total cost of ownership

Thomson has been manufacturing industrial linear actuators for nearly 50 years, and we understand which tests are necessary to qualify our products for a variety of applications. It's not enough to build a product that will operate in a clean, indoor "lab" environment. Our actuators are used on heavy duty agricultural and construction equipment that operates outdoors in the dirt and mud, and it's not uncommon for operators to use these products as steps or take a hammer to them. In short, our superior test standards ensure that Thomson actuators can withstand whatever punishment our customers, or the environment, may inflict.



Superior Function Through Superior Testing

The Thomson Test Standard is a 40-day test platform that takes the Electrak HD through some of the harshest conditions imaginable. From hot to cold, wet to dusty, heavy vibration to dropped on the floor, we inflict punishment on our design in an effort to match the real-world environment that our units may be forced to withstand. The cost of a test platform of this magnitude can range from \$75,000-100,000 at an independent lab. Thomson saves their customers this substantial expense by completing testing up front using an independent lab with a common report format.

Development Testing Overview

Environmental Protection	EN60529, DIN40050-9, ASTM B117-11, ISO 15003
Mechanical Function	EN60068-2-27, EN60068-2-32
Electrical Function	ISO 7637-2, ISO 13766, ISO 10605, EN60068-2-1/-2-2



All of the relevant standards and testing procedures used for Electrak HD are described in the Performance Testing Standards and Test Procedures. This document is constantly being updated as Electrak HD evolves to meet new standards and tougher customer demands, and take advantage of new technologies.

Want to know more about Electrak HD?

Visit www.thomsonlinear.com/hd to learn about all of its advantages, download the brochure and 3D models, watch instructional videos, use our selector and more. You can also request a copy of the Performance Testing Standards and Test Procedures (pictured) via the site's Contact Us page.

Quality Control and Production Testing

We validate Electrak HD through an extensive end-of-line test procedure to ensure that each and every actuator produced meets and exceeds your expectations. We also perform a detailed inspection on the components used to build it.

Production Test Highlights

- Ball screw straightness
- Load holding brake test
- Surface treatment check
- Bolt tightening torque
- Final inspection
 - movement
 - retract length
 - stroke Length
 - no load speed
 - loaded speed
 - overload trip point
 - end play
 - PCB functions
 - sound level



Superior Protection Ensures Reliable Operation

Robust and reliable operation, even in demanding environments, has been a hallmark of Thomson's industrial linear actuators. With Electrak HD, we've taken environmental protection to the next level by subjecting it to some of the harshest conditions imaginable throughout our rigorous test protocol.

Passed Development Tests Highlights

- Operational low temperature (-40°C for 96 hours)
- Operational high temperature (+85°C for 96 hours)
- Hose washing (IPx6)
- Submersion (IPx7)
- High-pressure washing (IPx9k)
- Dust ingress (IP6x)
- Salt environment (500 hours)
- Chemical resistance
 - diesel
 - hydraulic oil
 - brake oil
 - ethylene glycol
 - urea nitrogen
 - diesel exhaust fluid
 - NPK fertilizer*9



Guaranteed Performance with No Surprises

Electrak HD is designed around consistent and reliable performance. Load, speed, current and duty cycle are among the many specifications that we guarantee will be consistent throughout Electrak HD's entire life. These parameters are tested to some of the strictest values in the industry.

Passed Development Tests Highlights

- Random vibration immunity
- Operational shock immunity
- Handling/drop shock immunity
- Life expectancy
- Duty cycle
- Static maximum load capacity
- Dynamic maximum load capacity
- Sound emission
- Speed variation
- Current draw
- Operational voltage
- Manual override function
- PCB function



Safe Operation in All Conditions

It doesn't matter how strong, sturdy or smart a product is if it isn't safe. Thomson's extensive testing ensures that Electrak HD continues to run safely in any application – keeping people, equipment and environments out of harm's way.

Passed Development Tests Highlights

- Operational over voltage
- Operational under voltage
- Operational reverse polarity
- Short circuit handling
- Operational electrostatic discharge
- End-of-stroke limit switch function
- Overload protection
- Duty cycle protection
- Static load holding brake test
- EMC tests
 - inductive load switching
 - positive inductance transient test
 - positive and negative coupling test
 - cranking test
 - load dump
 - electromagnetic immunity
 - conducted emissions
 - radiated emissions



How Thomson Built a World-Class Linear Actuator

1. Start with the proven, rugged Electrak electric linear actuator.
2. Add state-of-the-art onboard controls, feedback, CAN bus J1939 and eliminate the need for standalone controls.
3. Boost the power, increase stroke lengths and reduce current draw.
4. Design it all into a more compact envelope with the best environmental protections on the market today.

INDUSTRY LEADING ONBOARD CONTROLS

The Electrak Modular Control System (EMCS) is the foundation of the best onboard controls available today for electric linear actuators and includes optional, built-in J1939 CAN bus support.

1 Electrak Modular Control System

- Electrak Monitoring Package (standard)
- End-of-Stroke Indication Output Option
- Analog Position Output Option
- Digital Position Output Option
- Low-Level Signal Motor Switching Option
- J1939 CAN Bus Control Option

2 Built-in, End-of-Stroke Limit Switches

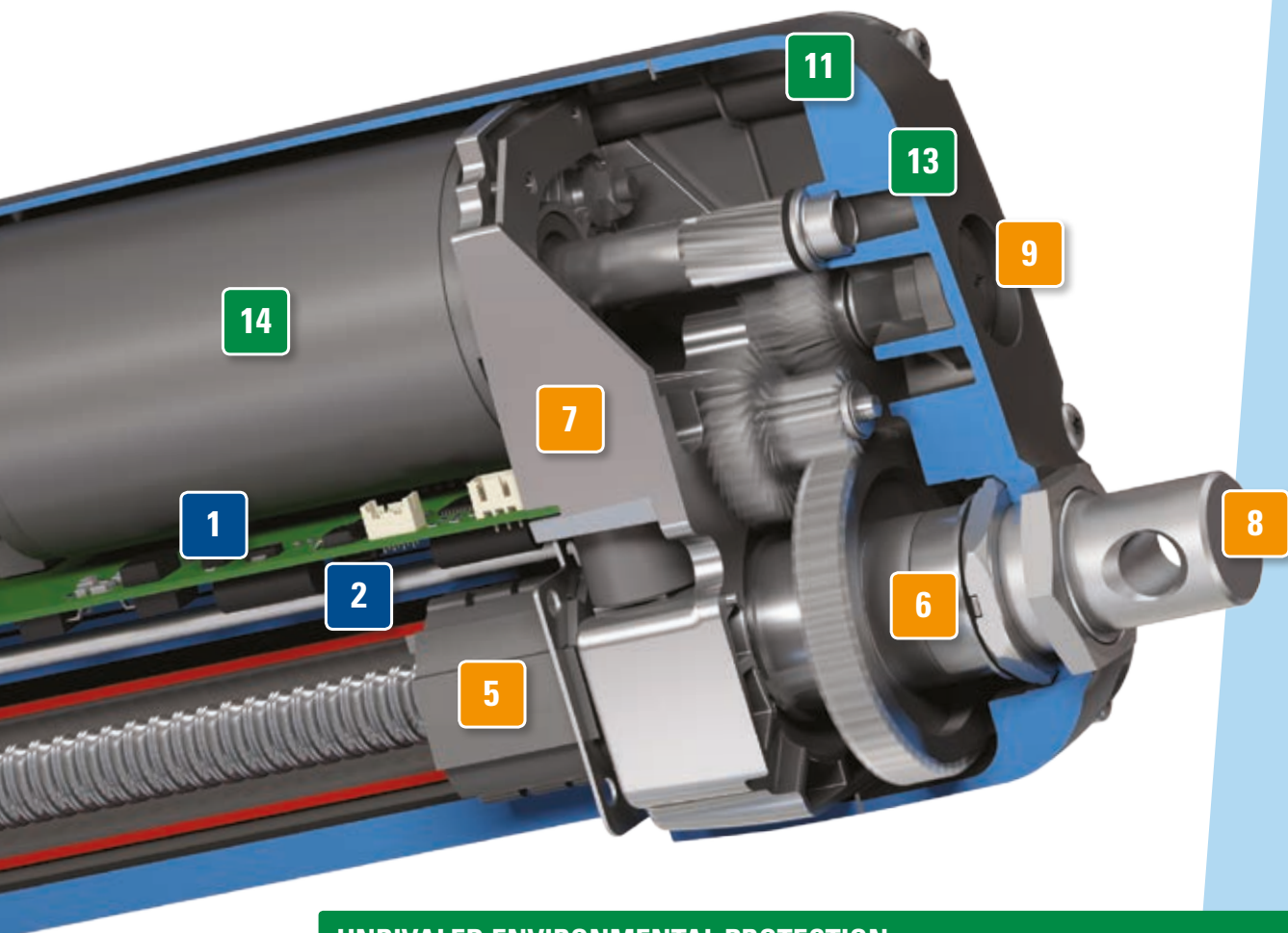
3 Mounting Slots for External Limit Switches



SUPERIOR PERFORMANCE

Higher power and longer stroke lengths enable Electrak HD to tackle applications outside the range of other electric linear actuators.

- 4** Modular Cabling
- 5** Standard Anti-Rotation Feature
- 6** Static Load-Holding Brake
- 7** Robust Zinc Housing
- 8** Large Variety of Adapters
- 9** Integrated Manual Override
- 10** High-Efficiency Ball Screw Assembly



UNRIVALED ENVIRONMENTAL PROTECTION

Electrak HD is tested to meet and exceed the toughest OEM mechanical and electronic component acceptance tests in the market today.

- 11** IP67/IP69K Protection Class
- 12** Stainless Steel Extension Tube
- 13** Salt Spray Tested for 200 Hours
- 14** Large Operating Temperature Range
- 15** Hard-coat Anodized Aluminum Cover Tube

EUROPE

United Kingdom

Thomson
Office 9, The Barns
Caddsdow Business Park
Bideford
Devon, EX39 3BT
Phone: +44 (0) 1271 334 500
E-mail: sales.uk@thomsonlinear.com

Germany

Thomson
Nürtinger Straße 70
72649 Wolfschlügen
Phone: +49 (0) 7022 504 0
Fax: +49 (0) 7022 504 405
E-mail: sales.germany@thomsonlinear.com

France

Thomson
Phone: +33 (0) 243 50 03 30
Fax: +33 (0) 243 50 03 39
E-mail: sales.france@thomsonlinear.com

Italy

Thomson
Largo Brughetti
20030 Bovisio Masciago
Phone: +39 0362 594260
Fax: +39 0362 594263
E-mail: sales.italy@thomsonlinear.com

Spain

Thomson
E-mail: sales.esm@thomsonlinear.com

Sweden

Thomson
Estridsväg 10
29109 Kristianstad
Phone: +46 (0) 44 24 67 00
Fax: +46 (0) 44 24 40 85
E-mail: sales.scandinavia@thomsonlinear.com

SOUTH AMERICA

Brasil

Thomson
Av. Tamboré, 1077
Barueri, SP – 06460-000
Phone: +55 (11) 3616-0191
Fax: +55 (11) 3611-1982
E-mail: sales.brasil@thomsonlinear.com

USA, CANADA and MEXICO

Thomson
203A West Rock Road
Radford, VA 24141, USA
Phone: 1-540-633-3549
Fax: 1-540-633-0294
E-mail: thomson@thomsonlinear.com
Literature: literature.thomsonlinear.com

ASIA

Asia Pacific

Thomson
E-mail: sales.apac@thomsonlinear.com

China

Thomson
Rm 2205, Scitech Tower
22 Jianguomen Wai Street
Beijing 100004
Phone: +86 400 6661 802
Fax: +86 10 6515 0263
E-mail: sales.china@thomsonlinear.com

India

Thomson
c/o Fluke Technologies Pvt. Ltd.
#424, Deodhar Center,
Marol Maroshi Road,
Andheri – E, Mumbai – 400059 India
Phone: +91 22 29207641
E-mail: sales.india@thomsonlinear.com

Japan

Thomson
Minami-Kaneden 2-12-23, Suita
Osaka 564-0044 Japan
Phone: +81-6-6386-8001
Fax: +81-6-6386-5022
E-mail: csjapan@scgap.com

Korea

Thomson
F7 Ilsong Bldg, 157-37
Samsung-dong, Kangnam-gu,
Seoul, Korea (135-090)
Phone: +82 2 6917 5049
Fax: +82 2 528 1456
E-mail: sales.korea@thomsonlinear.com

www.thomsonlinear.com

Electrak_HD_Testing_BRUK-0025-01B | 20161121SK

Errors and technical alterations reserved. It is the responsibility of the product user to determine the suitability of this product for a specific application. All trademarks property of their respective owners. © 2016 Thomson Industries, Inc.

 **THOMSON**[®]

Linear Motion. Optimized.[™]