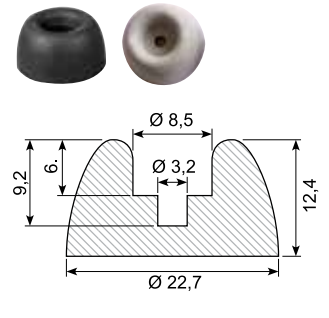
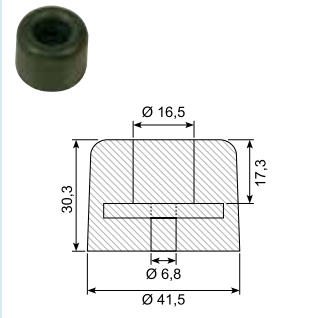


39.171J / 39.171G



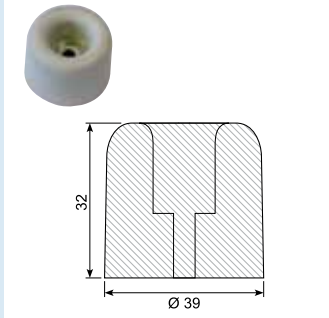
Material: Black
39.171G: Light grey

39.175J



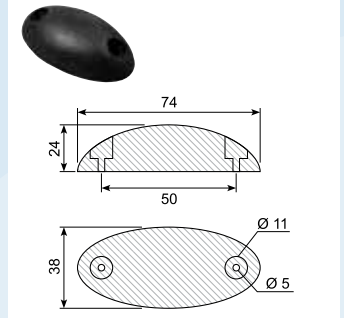
Material: Black NR
Hardness: 78

39.175H *



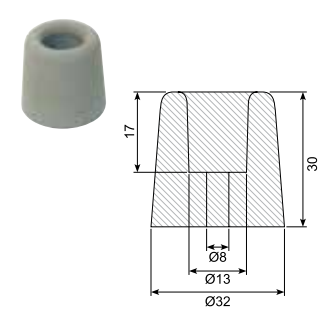
Min. order: 2.000 pcs.

39.632J



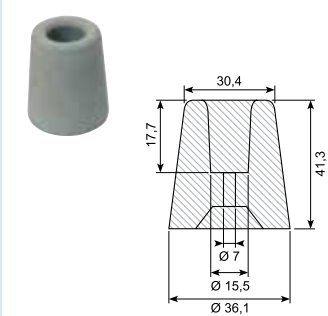
Material: Black

39.167G



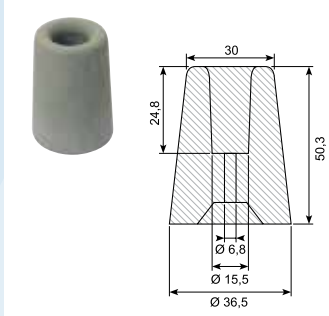
Grey rubber buffer

39.168G



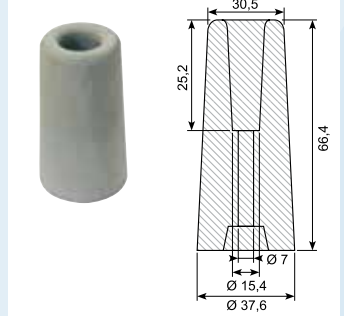
Grey rubber buffer

39.169G



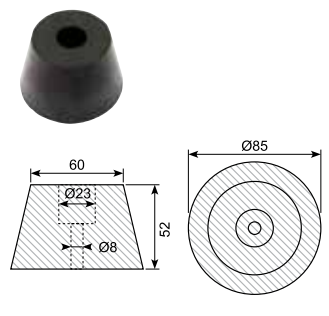
Grey rubber buffer

39.170G



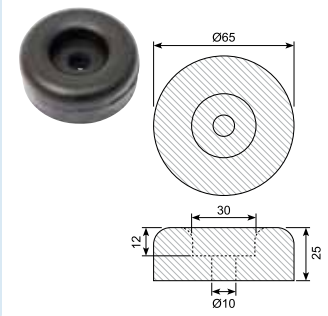
Grey rubber buffer

39.174



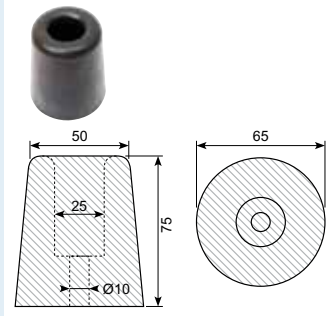
Material: Black NR / SBR

39.177



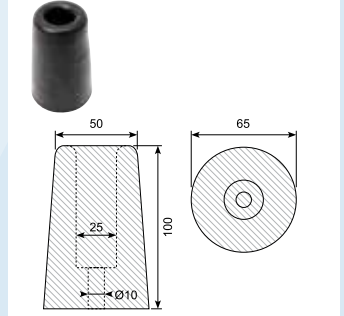
Material: Black NR / SBR

39.178



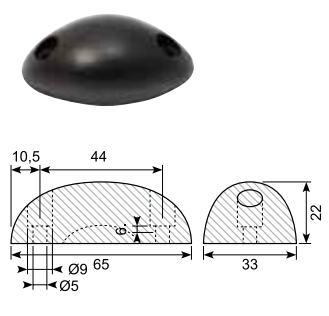
Material: Black NR / SBR

39.179



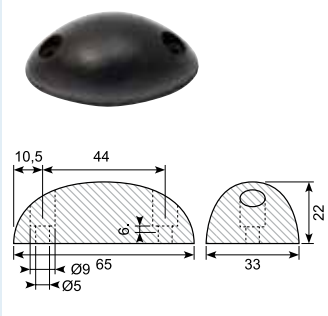
Material: Black NR / SBR

39.632A



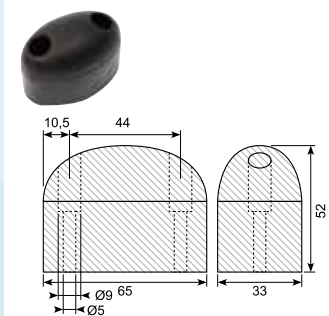
Material: Black NR / SBR

39.632B



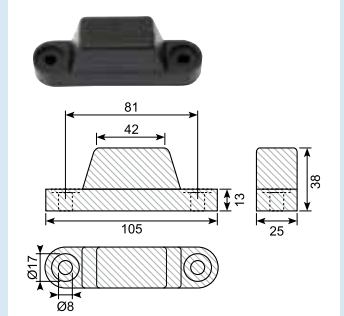
Material: Black NR / SBR

39.632C



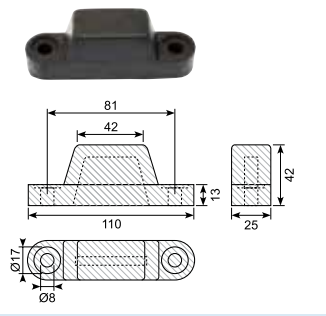
Material: Black NR / SBR

39.172



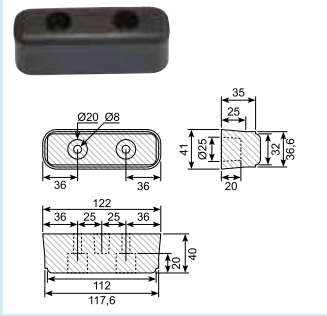
Material: Black NR / SBR

39.173



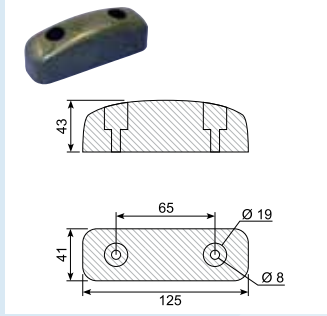
Material: Black NR / SBR

39.626J**



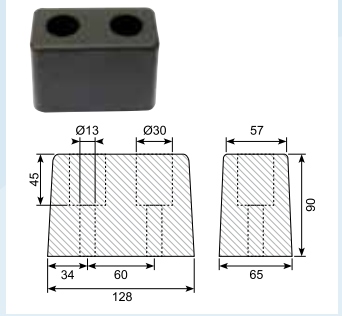
Material: Black NR
Hardness: SH 85

39.637



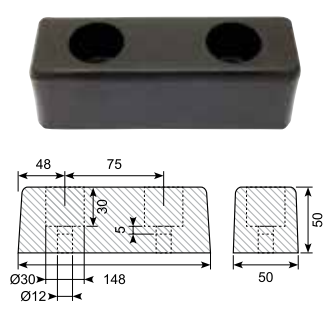
Vehicle bumper
Material: Black NR / SBR

39.625



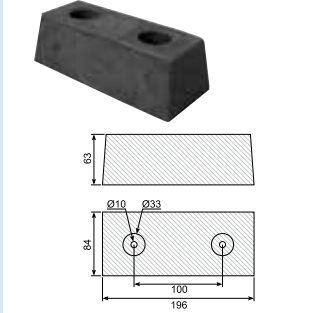
Material: NR / SBR

39.624



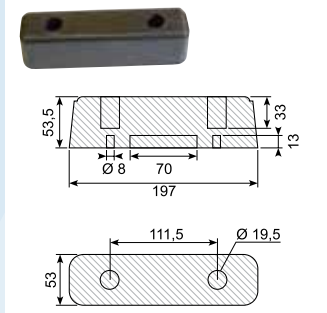
Material: Black NR / SBR

39.623J



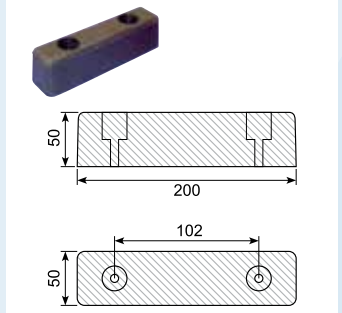
Rubber buffer, slightly conical
Material: NR

39.620J



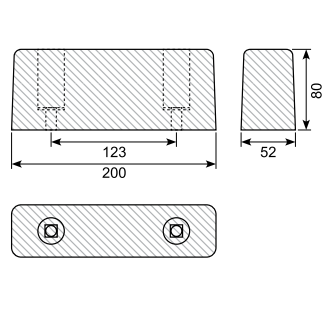
Rubber buffer with washers
Material: Black NR
Hardness: SH 85

39.638



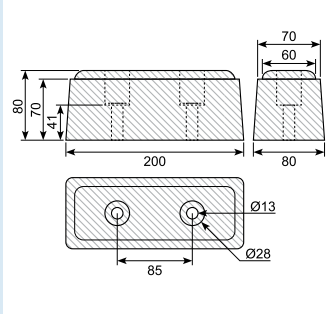
Vehicle bumper
Material: Black NR / SBR

39.181061



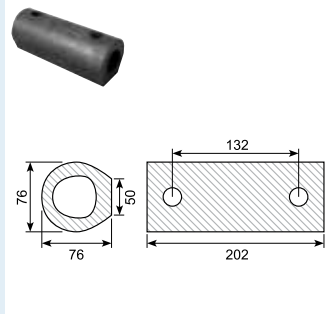
Material: NR/SBR

39.181052



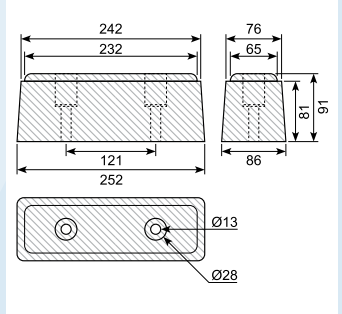
Material: NR/SBR

39.627



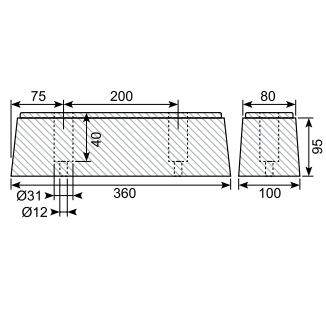
Material: SBR black

39.181060



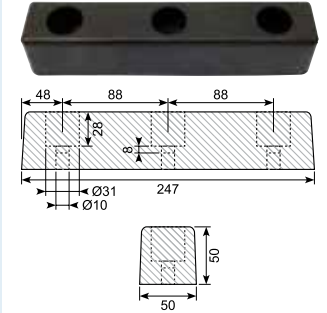
Material: NR/SBR

39.360



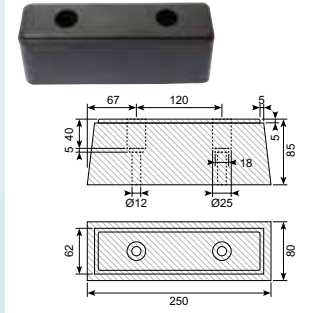
Material: Black NR / SBR

39.628



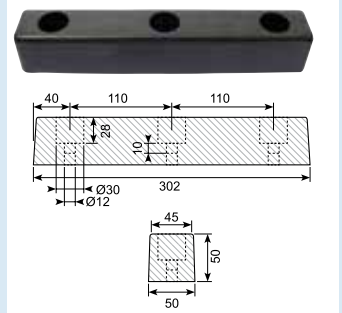
Material: NR/SBR

39.646



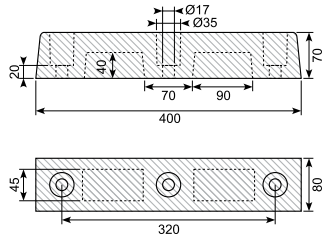
Material: Black NR / SBR
Weight: 1.800 g

39.629



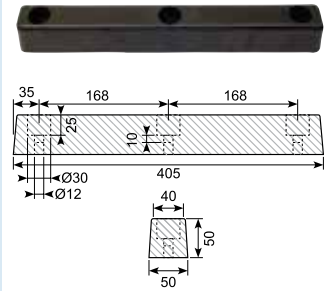
Material: Black NR / SBR

39.634



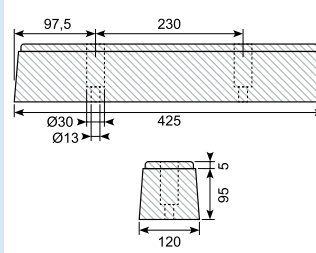
Buffer with steel washers and steel casing, 3 holes for 16 mm bolt.
Material: EPDM black

39.630



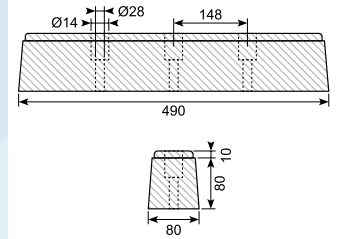
Material: Black NR / SBR

39.634P



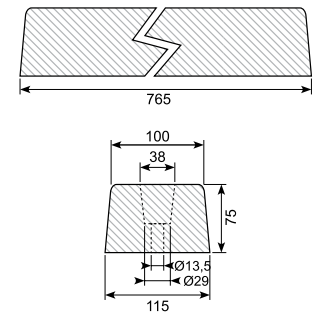
Material: Black NR / SBR

39.647 *



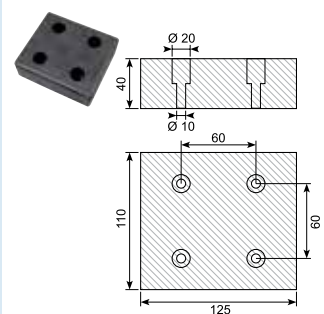
Material: Black NR / SBR

39.650 *



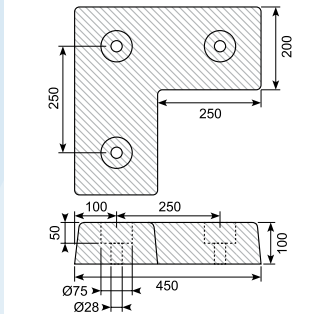
Material: Black NR / SBR

39.631X



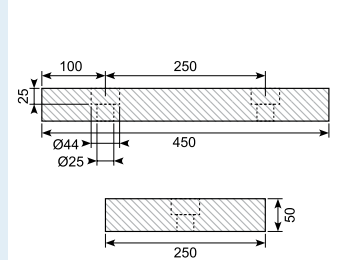
Material: SBR black
Hardness: SH 75

39.651A



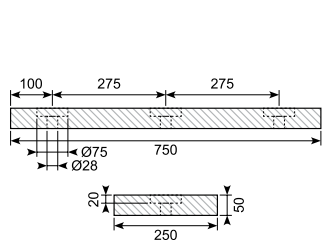
Material: NR / SBR
39.651: SBR + rayon

39.652



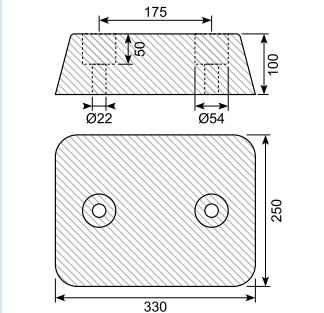
Material: Black NR / SBR

39.653



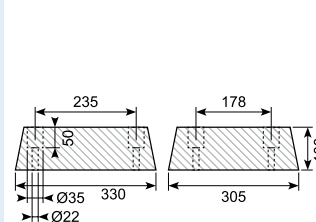
Material: Black NR / SBR

39.644



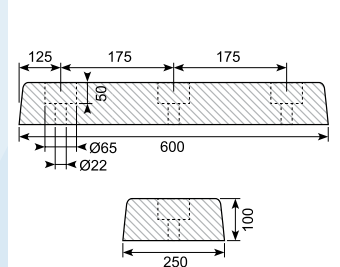
Material: SBR + rayon
39.644A: NR/SBR *

39.631A



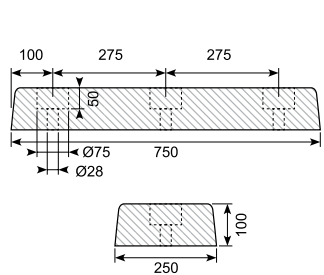
Material: NR / SBR

39.648



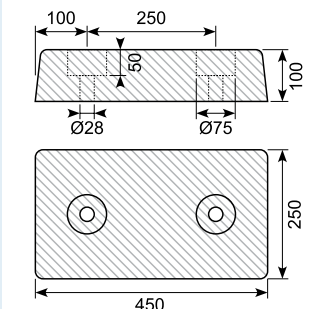
Material: Black NR / SBR

39.649



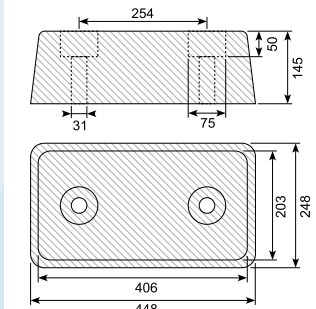
Material: Black NR / SBR

39.642X



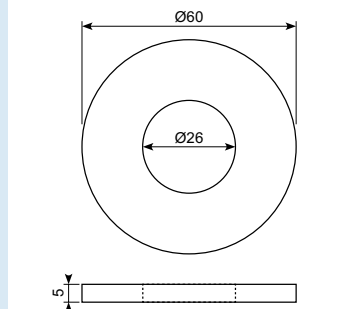
Material: NR / SBR (Economy)
39.642 SBR + rayon *

39.643X



Material: NR / SBR (Economy)

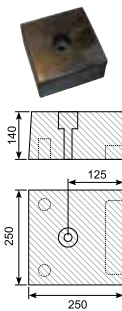
39.M24



M24 washer for rubber buffer

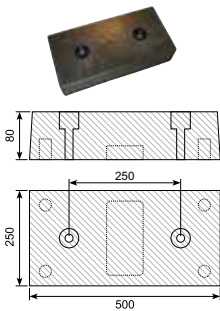
Gummibuffer / Rubber buffer

39.636H **



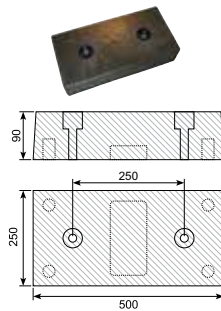
Buffer, vulcanized new rubber.

39.635X **



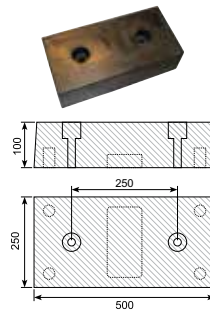
Buffer, vulcanized new rubber.

39.635 **



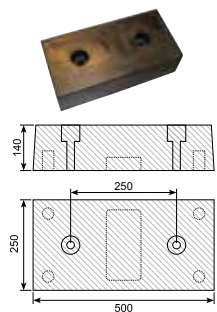
Buffer, vulcanized new rubber.

39.636X **



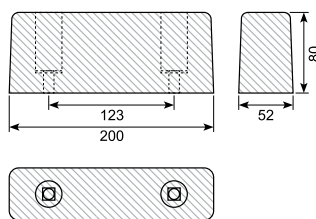
Buffer, vulcanized new rubber.

39.636 **



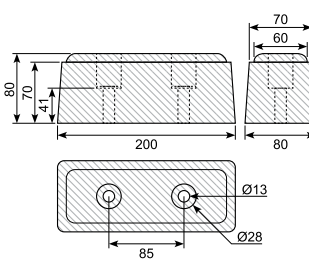
Buffer, vulcanized new rubber with vulcanized steel washers.

39.181061



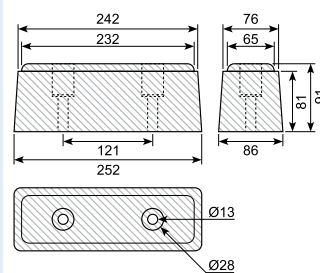
Weight: 1.050 g

39.181052



Weight: 1.370 g

39.181060



Weight: 1.370 g



Anslagsbuffere / tipper pads *
Material: Steel / rubber

Art.	Size steel element (mm)	Size rubber element (mm)	Weight (kg)
39.658	150 x 40 x 5	100 x 40 x 25	0,34
39.656	152 x 88 x 6	100 x 86 x 22	0,75
39.657	355 x 75 x 3	290 x 74 x 27	1,35



Anslagsbuffere / tipper pads *
Material: Aluminium / rubber

Art.	Size aluminium element (mm)	Size rubber element (mm)	Weight (kg)
39.659	152 x 88 x 5	100 x 86 x 23	0,41
39.661	180 x 75 x 5	115 x 75 x 29	0,41
39.660	152 x 88 x 5	100 x 88 x 38	0,6
39.662	180 x 75 x 5	150 x 75 x 40	0,6
39.663	180 x 75 x 4	115 x 75 x 46	0,6
39.664	190 x 115 x 6	120 x 112 x 14 - 20	0,6
39.665	355 x 75 x 5	290 x 75 x 39	1,4

39.180



Material: SBR black
Hardness: SH 80
Rubber pad Ø120 for lift stabilizers. Internal Ø108 mm. Height 26 mm.

39.181 *



Material: SBR black
Hardness: SH 75
Rubber pad Ø120 for lift stabilizers. Internal Ø108 mm. Height 26 mm.

39.182 *



Material: SBR black
Hardness: SH 75
Rubber pad Ø145 for lift stabilizers. Internal Ø120 mm. Height 24 mm.

39.183



Material: TPE black
Hardness: SH 80
Rubber pad Ø145 for lift stabilizers. Internal height 26 mm.

39.188 *



Rubber pad for lift stabilizers
Material: Black SBR
Hardness: SH 75
Size: Ø 160 x H 28 mm
Internal Ø 135 mm

39.183A *



Rubber pad for lift stabilizers
Material: Black SBR
Hardness: SH 80
Size: Ø 100 x H 21 mm
Internal Ø 80 mm

39.183B *



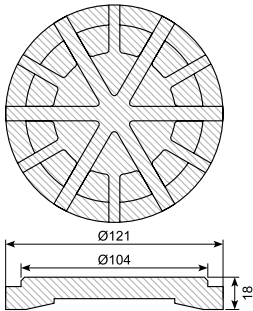
Rubber pad for lift stabilizers
Material: Black SBR
Hardness: SH 80
Size: Ø 140 x H 25 mm
Internal Ø 103 mm

39.183C *



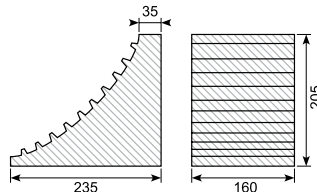
Rubber pad for lift stabilizers
Material: Black
Hardness: SH 80
Size: Ø 140 x H 25 mm
Internal Ø 74 / 60 mm

30.9906



Hardness: SH 80

52.CWC8



Chocks

39.184



Rubber pad for lift stabilizers
Material: SBR black
Hardness: SH 75
160 x 120 x 20 mm

39.186



Rubber pad for lift stabilizers
Material: SBR black
Hardness: SH 75
160 x 120 x 120 mm

39.187



Rubber pad for lift stabilizers
Material: SBR black
Hardness: SH 75
180 x 60 x 100 mm

39.185



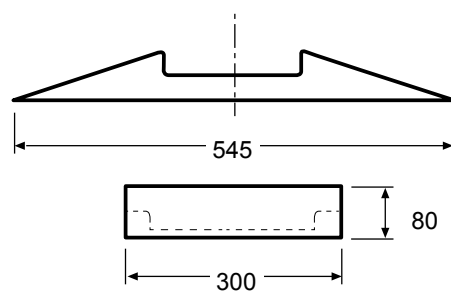
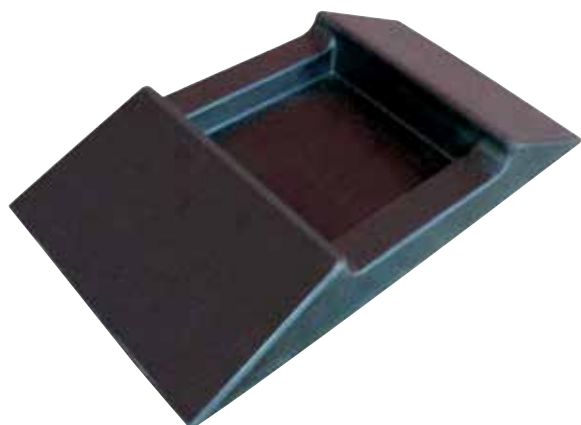
Rubber pad for lift stabilizers
Material: SBR black
Hardness: SH 75
160 x 120 x 35 mm

Gummibuffer / Rubber buffer

Art.	Image	Measure
30.13186-1		6,7
30.13186-2		8
30.13186-3		10,5
30.13186-4		10,8
30.13186-5 *		16
30.13186-6 *		21
30.13186-7 *		24,5
30.13186-8 *		31,3

Material: Grey PVC

39.645



* Skaffevare / Special order item