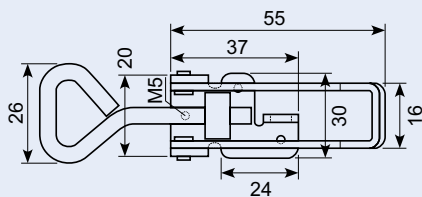


18.125

Excenterlukker m. bøjle til hængelås. Galvaniseret. Justérbar 70 - 82 mm. Inkl. modhold.

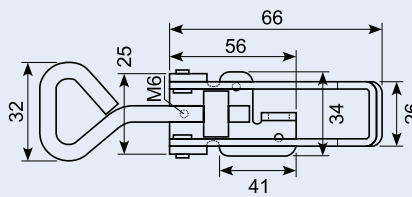
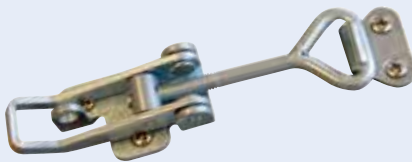
Side board latch with shackle for padlock with backstop. Hole for padlock. Stainless steel, zinc plated. Adjustable 70-82 mm.



18.125X

Galvaniseret excenterlukker med hul til hængelås. Inkl. modhold. 103 - 118 mm. Armlængde: 80 mm.

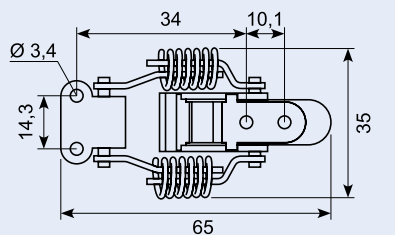
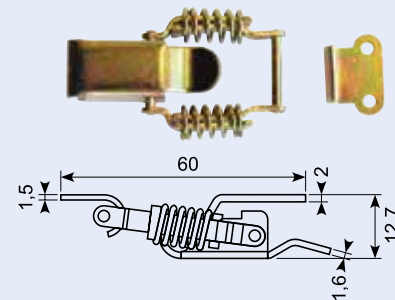
Zinc plated latch with hole for padlock with catch plate. 103 - 118 mm. Arm length: 80 mm.



18.132J

Snablås med fjeder 54 mm. Inkl. modhold galvaniseret.

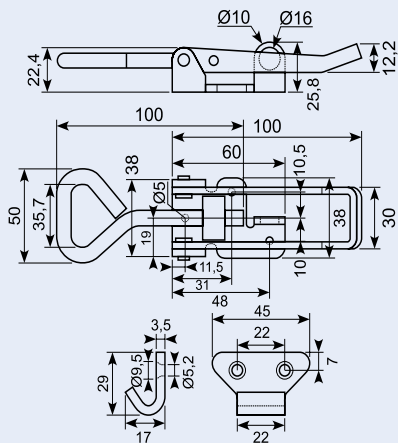
Snap lock with spring 54 mm. Incl. catcher, zinc plated, yellow. Steel.



18.126

Excenterlukker m. bøjle til hængelås. Justérbar 155 - 170 mm. Inkl. hjertekrog 44,5 x 21 mm. Galvaniseret.

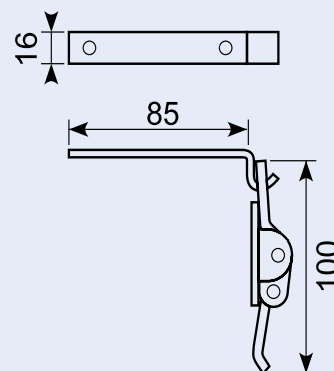
Side board latch with shackle for padlock with backstop. Adjustable 155-170 mm. Incl. heart hook 44.5x21 mm. Zinc plated.



18.121

Lukkebeslag rustf. incl. hage. SS316 115x15.5.

Fastener stainless incl. catch plate. SS316, 115x15.5.



63.051990J

Spændeoverfald 70-82 mm. Rustfri stål incl. låsehage. SS316 se osse 18.125SS304.

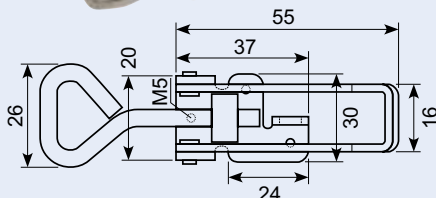
Buckle fasteners 70-82 mm. Stainless steel SS316. Incl. lock hook. See also 18.125SS304.



18.125SS304

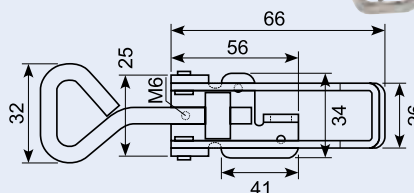
Excenterlukker med bøjle til hængelås. Inkl. modhold. SS304. 70 - 82 mm.

Side board latch 70-82 mm. SS304. Shackle for padlock, incl. catcher.



18.125XSS304**

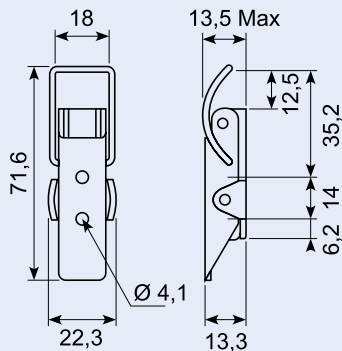
Excenterlukker med bøjle til hængelås. Inkl. modhold. SS304. 103 - 118 mm.



18.130

Rustfri excenterlukker med bøjle. 71,6 mm ss304 (27-633). Brug modhold 18.129.

Stainless side board latch with hanger. 71.6 mm, SS304 (27-633).

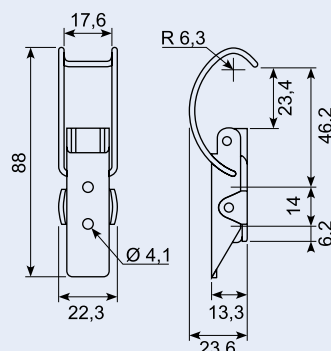
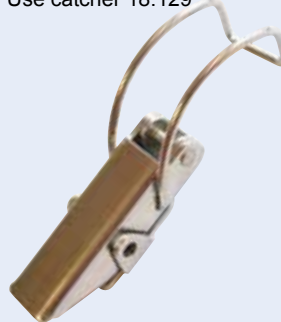


Modhold / catch plate
18.129

18.131

Rustfri excenterlukker med stor bøjle. 88 mm ss304 (27-633). Brug modhold 18.129.

Stainless side board latch with big shackle. 88 mm SS304 (27-645). Use catcher 18.129



Modhold / catch plate
18.129

18.128

Rustfri excenterlukker m. hul til lås. (Modhold evt. 18.129). 11 mm. Længde: 64 mm.

Little stainless side board latch. Hole for padlock 64 mm.



18.127

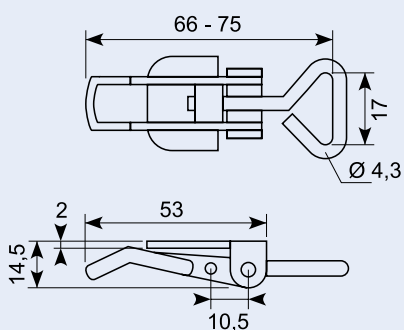
Rustfri excenterlukker m. bøjle. (Modhold evt. 18.129). 11 mm. Længde: 94 mm.

Big side board latch with shackle length 94 mm. No catcher included. No name.



18.1090132ZN

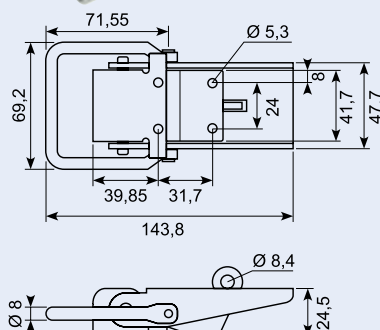
Justerbar snablås - galvaniseret. 16 mm. Adjustable fasteners - zinc-plated. 16 mm.



50.14405

Galvaniseret lukker med øje til hængelås og forkrøbet fod.

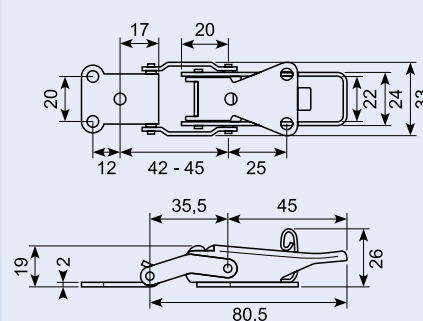
Zinc plated shutter with eye for padlock and cranked foot.



18.133

Rustfri excenterl.m/ bøjle. 80.5 mm SS304 med modhold.

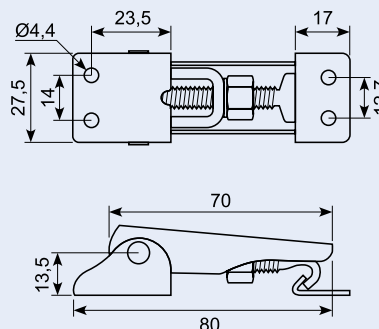
Stainless snap lock with shackle. 80.5 mm, SS304 with catcher.



18.136

Rustfri excenterlukker 80mm med modhold indstillelig.

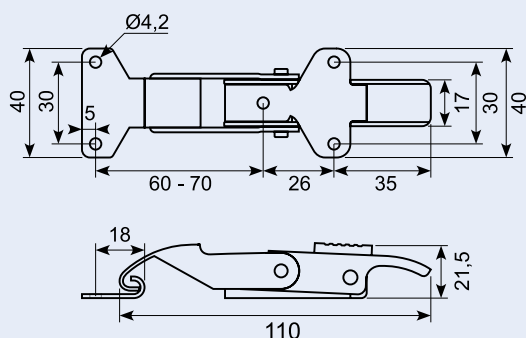
Stainless snap lock adjustable 80 mm incl. catcher.



18.134

Galv.lukker med modhold. 110mm med skydelås.

Zinc plated snap lock with catcher 110 mm with sliding latch.

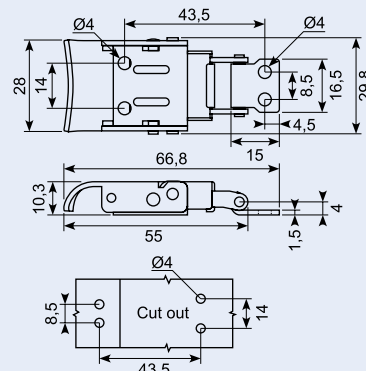


18.135

Rustfri lukker med bøjle. 55 mm med bøjle og modhold.

Fjederbelastet bøjle med 3 indiv. fjedre.

Stainless snap lock w/shackle. 55 mm with shackle + catcher. Spring loaded shackle with 3 inner springs.



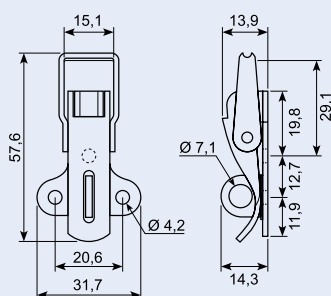
18.29569ZN

Lukkebeslag uden hage. Galvaniseret.

Rustfri version: 18.29569SS.

Ridgid fastener without hook. Zinc-plated.

Stainless version: 18.29569SS.



Modhold / catch plate

18.01535ZN - Hage galvaniseret

18.01535SS - Hage rustfri

18.02535

18.07535

18.03535ZN - Hage galvaniseret

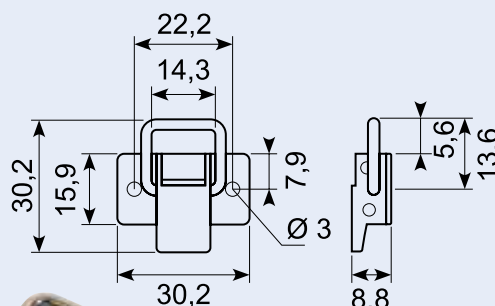
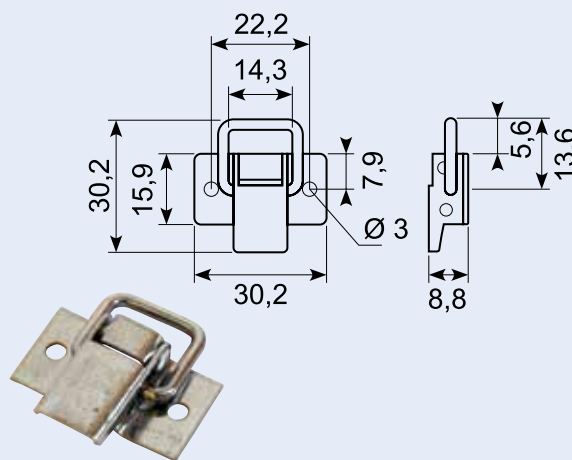
18.03535SS - Hage rustfri

18.08594

18.10589ZN

Protex snaplås - galvaniseret jern. Forberedt for sikring med split. Brudstyrke: 38 kg.

Rigid fastener, light duty - zinc-plated. Prepared for split pin. Ultimate strength: 38 kg.



18.611750ZN

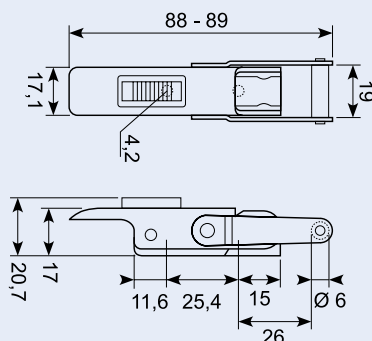
Protex snaplås - galvaniseret med lås. Justerbar - forberedt for sikring med split.

Brudstyrke: 450 kg.

Rustfri version: 18.611750SS

Adjustable fastener, locking. Zincplated, pin seal. Ultimate strength: 450 kg.

Stainless version: 18.611750SS.



Modhold / catch plate

18.05655ZN - EL-forzinket, gul.

18.03655ZN - 16 mm

18.03655SS

18.06655

18.01655

18.007655

18.02655ZN

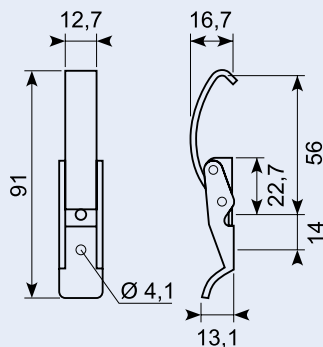
18.02655SS

18.282150ZN

Protex snaplås - galvaniseret jern. Til låg eller faldede kanter. Brudstyrke : 75 kg.

Rustfri version: 18.282150SS.

Spring Claw Fastener, light duty - zinc-plated. For lids or flanged edges. Ultimate strength: 75 kg. Stainless version: 18.282150SS.



Modhold / catch plate

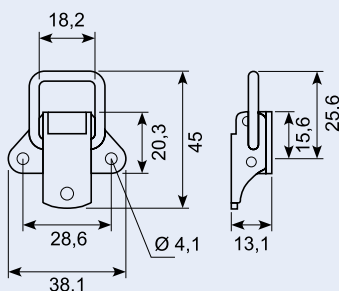
18.042150ZN

18.18613ZN

Protex snaplås - galvaniseret jern. Forberedt for sikring med split. Brudstyrke : 195 kg.

Rustfri version: 18.18613SS.

Rigid fastener, light duty - zincplated. Prepared for split pin. Ultimate strength: 195 kg. Stainless version: 18.18613SS.



Modhold / catch plate

18.01613ZN

18.02613ZN - 16 mm

18.03613ZN - 16 mm

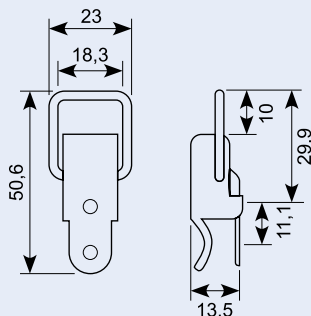
18.07613

18.20505ZN

Protex snaplås - rustfri. 16 mm.

Rustfri version: 18.20505SS.

Rigid fastener - stainless steel. 16 mm. Stainless version: 18.20505SS.



Modhold / catch plate

18.01504 - galvaniseret

18.01504SS - rustfri

18.02504

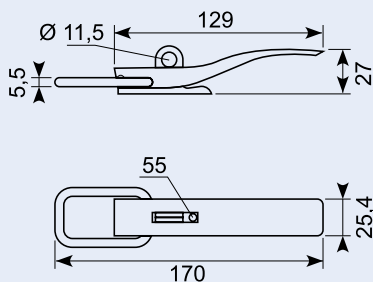
18.03504

18.011658

18.165

Snaplås - aflåselig. Sort-lakeret jern. 22 mm.

Over-centre toggle fastener. Powder coated. 22 mm.



18.30506ZN

Protex snaplås - galvaniseret jern. Til låg eller faldede kanter. Brudstyrke: 75 kg.

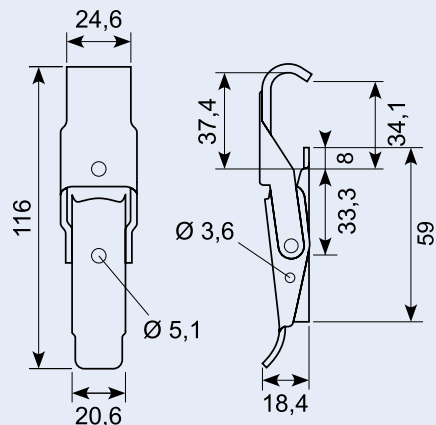
Rustfri version: 18.30506SS.

Rigid fastener, medium duty - zincplated. For lids or flanged edges. Ultimate strength: 75 kg. Stainless version: 18.30506SS.



Modhold / catch plate

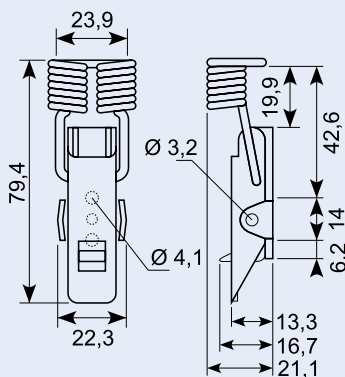
18.042150 - 22 - 24 mm



18.271837ZN

Protex snablås - galvaniseret med lås. Med trækfjeder, forberedt for sikring. Med split.
Brudstyrke: 66 kg.
Rustfri version: 18.271837SS.

Rigid fastener, medium duty - locking. With tension spring, prepared for split pin. Ultimate strength: 66 kg.
 Stainless version: 18.271837SS.



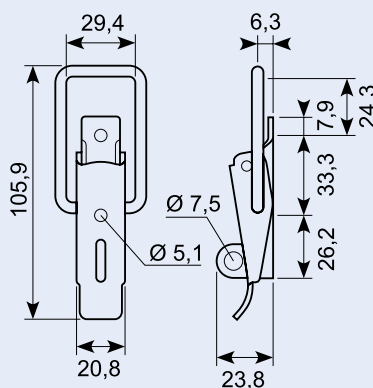
Modhold / catch plate

- 18.07613
- 18.02633 - Galvaniseret
- 18.02633SS - Rustfri
- 18.03633
- 18.001600CLR
- 18.07613
- 18.01502 - 24 mm
- 18.02502 - 24 mm

18.30570ZN

Protex snablås - galvaniseret. Forberedt for sikring med split og hængelås.
Brudstyrke : 450 kg.
Rustfri version: 18.30570SS.

Rigid fastener, medium duty - zinc plated. Prepared for padlock and split pin. Ultimate strength: 450 kg.
 Stainless version: 18.30570SS.



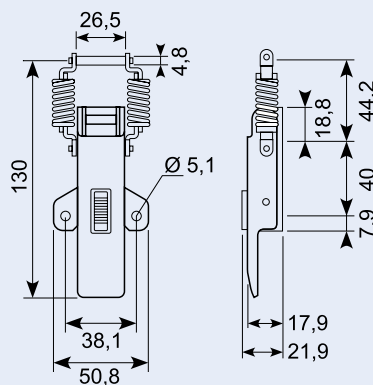
Modhold / catch plate

- 18.031692
- 18.08502
- 18.01502SS - rustfri
- 18.01502ZN - galvaniseret
- 18.05502SS - rustfri
- 18.05502ZN - galvaniseret
- 18.02502SS - rustfri
- 18.02502ZN - galvaniseret
- 18.01502
- 18.02502

18.351163ZN

Protex snablås - galvaniseret. Med trækfjeder, forberedt for sikring. Med split.
Brudstyrke: 66 kg.
Rustfri version: 18.351163SS.

Spring fasteners, medium duty - zincplated. With tension spring, pin seal. Ultimate strength: 66 kg.
 Stainless version: 18.351163SS.



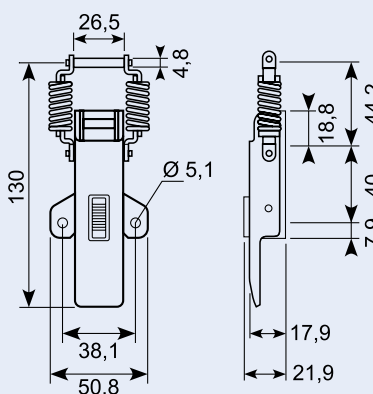
Modhold / catch plate

- 18.051058SS - rustfri
- 18.061058SS - rustfri
- 18.01502SS - rustfri
- 18.01502ZN - galvaniseret - 26 mm
- 18.02502SS - rustfri
- 18.02502ZN - galvaniseret - 26 mm
- 18.03502

18.361163ZN

Protex snablås - galvaniseret med lås. Med trækfjeder, forberedt for sikring med split.
Brudstyrke: 66 kg.
Rustfri version: 18.361163SS.

Rigid fastener, medium duty - locking, stainless steel. With tension spring, pin seal. Ultimate strength: 66 kg.
 Stainless version: 18.361163SS.



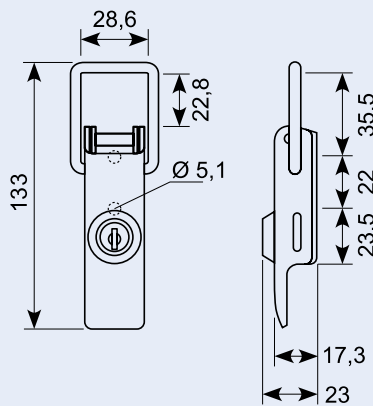
Modhold / catch plate

- 18.051058ZN - Galvaniseret
- 18.051058SS - Rustfri
- 18.01502ZN - Galvaniseret
- 18.01502SS - Rustfri - 24 mm
- 18.02502ZN - Galvaniseret
- 18.02502SS - Rustfri - 24 mm
- 18.03502

18.371260ZN

Protex snaplås - galvaniseret, aflåselig. Leveres med 2 nøgler. Brudstyrke : 494 kg. Rustfri version: 18.371260SS.

Rigid fastener, medium duty, locking zinc-plated with two keys. Ultimate strength: 494 kg. Stainless version: 18.371260SS.



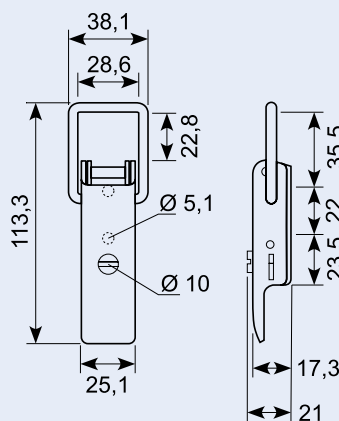
Modhold / catch plate

- 18.01502ZN - Galvaniseret - 24 mm
- 18.01502SS - Rustfri
- 18.02502ZN - Galvaniseret - 24 mm
- 18.02502SS - Rustfri
- 18.03502
- 18.051058ZN - Galvaniseret
- 18.051058SS - Rustfri
- 18.061058SS - rustfri

18.391260ZN

Protex snaplås - galvaniseret med kærnskruelås. Forberedt for sikring med split. Brudstyrke: 450 kg. Rustfri version: 18.391260SS

Ridgid fastener, medium duty, locking. Zinc-plated. Prepared for split pin. Ultimate strength: 450 kg. Stainless version: 18.391260SS.



Modhold / catch plate

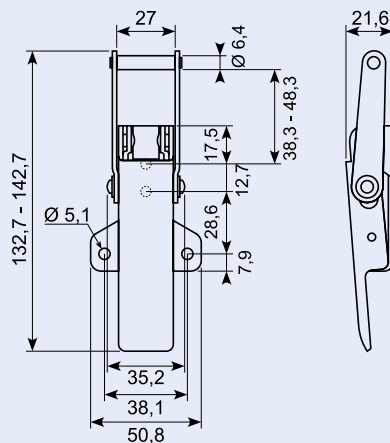
- 18.01502ZN - Galvaniseret - 24 mm
- 18.01502SS - Rustfri
- 18.02502ZN - Galvaniseret - 24 mm
- 18.02502SS - Rustfri
- 18.03502
- 18.051058ZN - Galvaniseret
- 18.051058SS - Rustfri
- 18.061058SS - rustfri

18.701273ZN

Protex snaplås - galvaniseret jern. Justerbar - forberedt for sikring med split. Brudstyrke: 660 kg.

Rustfri version: 18.701273SS

Adjustable fastener, medium duty. Zinc-plated, wide based. Pin seal. Ultimate strength: 660 kg. Stainless version: 18.701273SS.



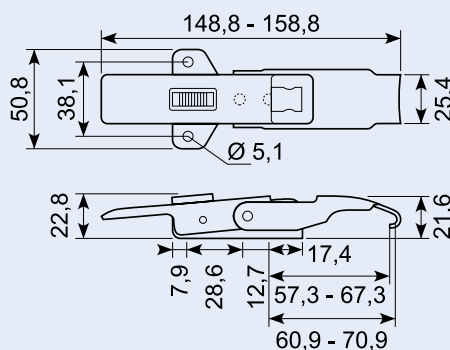
Modhold / catch plate

- 18.021273
- 18.011273ZN - Galvaniseret
- 18.011273SS - Rustfri
- 18.03502
- 18.06625ZN - 24 mm
- 18.011273CZN - 24 mm

18.71653CZN

Protex snaplås - galvaniseret jern. Til låg eller faldede kanter. Forberedt for sikring med split. Brudstyrke: 454 kg. 22-24 mm. Rustfri version: 18.71653SS

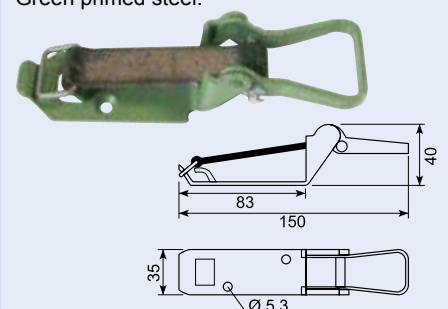
Adjustable fastener, medium duty. Zinc-plated. For lids or flanged edges. Pin seal. Ultimate strength: 454 kg. 22-24 mm. Stainless version: 18.71653SS.



18.109

Snaglås med gummistrop. Army-grøn lakeret jern.

Stowage clamp with rubber tension strap. Green primed steel.

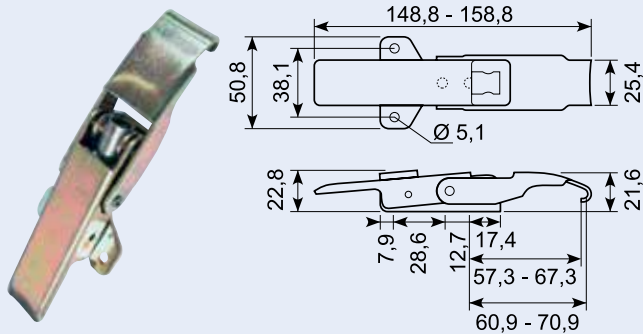


Snaglåse og modhold / Fasteners and catch plates

18.70653CZN

Protex snaplås - galvaniseret jern. Til låg eller faldede kanter. Forberedt for sikring med split. Brudstyrke: 454 kg. 22-24 mm. Rustfri version: [18.70653SS](#).

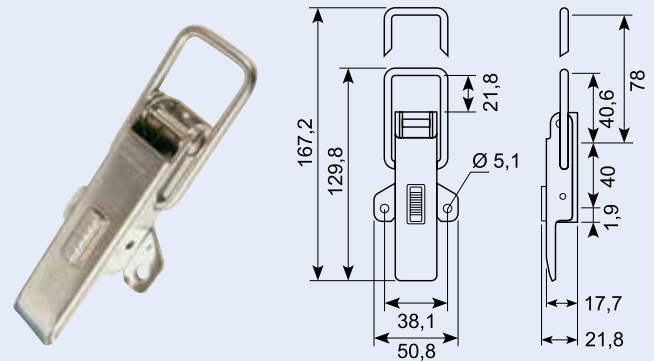
Adjustable fasteners, medium duty. Zincplated. For lids or flanged edges. Pin seal. Ultimate strength: 454 kg. 22-24 mm. Stainless version: [18.70653SS](#).



18.361058SS

Protex snaplås - rustfri stål med lås. Forberedt for sikring med split. Brudstyrke: 450 kg. Passer til modhold. [18.01502SS](#) / [18.02502SS](#). 24 mm.

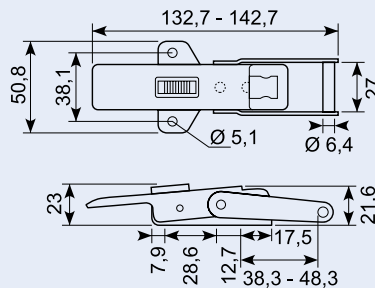
Rigid fasteners, medium duty locking. Pin seal. Ultimate strength: 450 kg. Fits catch plate [18.01502SS](#) / [18.02502SS](#). 24mm.



18.711273CZN

Rustfri version: [18.711273SS](#).

Stainless version: [18.711273SS](#).



Modhold / catch plates

[18.021273](#)

[18.011273ZN](#) - Galvaniseret

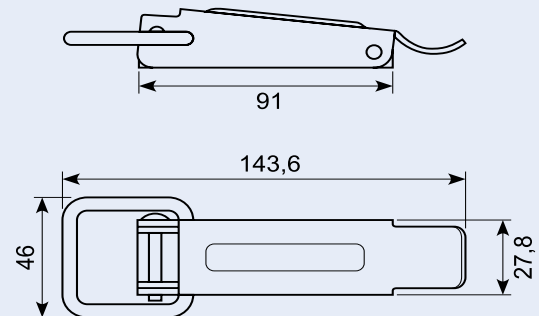
[18.011273SS](#) - Rustfri

[18.03502](#)

18.122X

Snaglås. Galvaniseret jern, velegnet til låg og kasser.

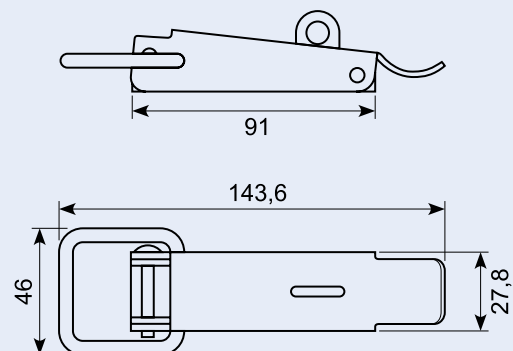
Toggle fasteners. Zinc-plated, suited for covers and boxes.



18.122Z

Galvaniseret lukkebeslag med øje til hængelås. Ekskl. hage.

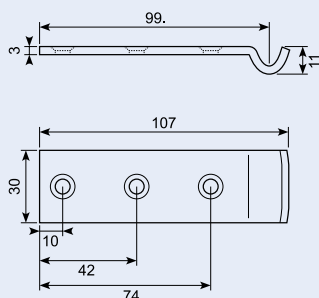
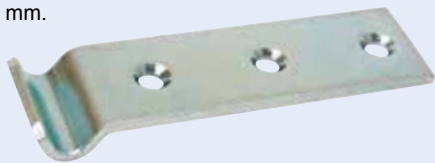
Locking fastenings without hook. Eye for padlock.



18.122XA

Forkrøbet modhold. 30 x 107 mm. Tykkelse 3 mm.

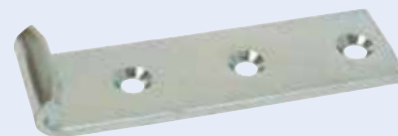
Cranked catch plate. 30 x 107 mm. Thickness 3 mm.



18.122XB

Lige modhold. 30 x 103 mm. Tykkelse 3 mm

Straight catch plate. 30 x 103 mm. Thickness 3 mm.



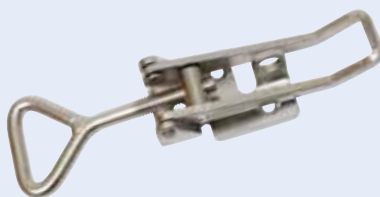
50.14832

Excenterlukker 106 mm galv m/ overfaldshage + modhold 103g + 20g



18.126SS304

Excenterlukker 155-170 mm SS304. Bøjle til hængelås.



18.291700SS

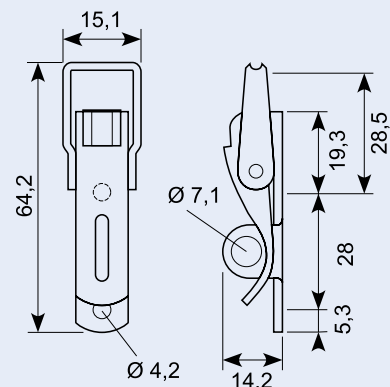
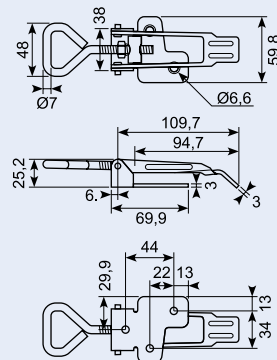
Lukkebeslag u. hage 29.569ZN. Forzinket.

Locking fastenings without hook 29.569ZN, zinc-plated.



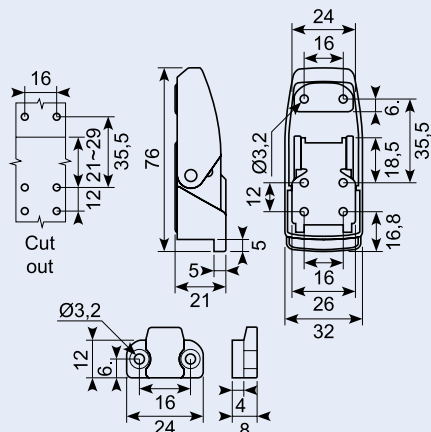
18.126XL

Rustfri excenterlukker uden aflåsning



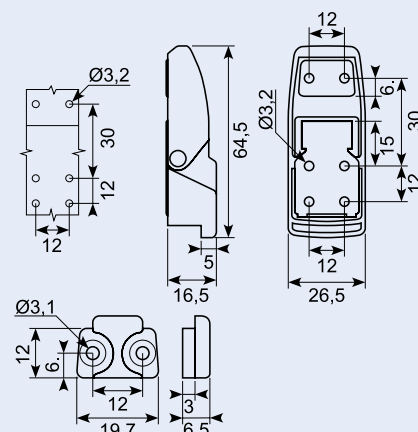
18.147

Sort pulverlakeret rustfri beslag og modhold 76mm med nøgle.



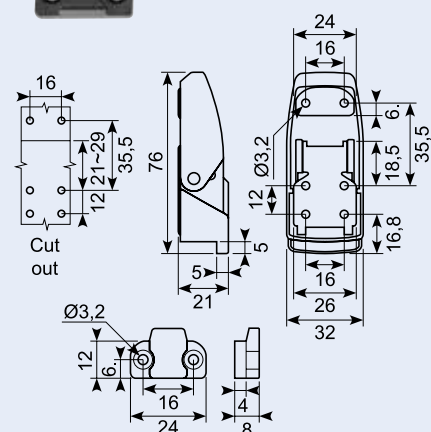
18.148

Sort pulverlakeret rustfri beslag og modhold 64.5 mm med nøgle.



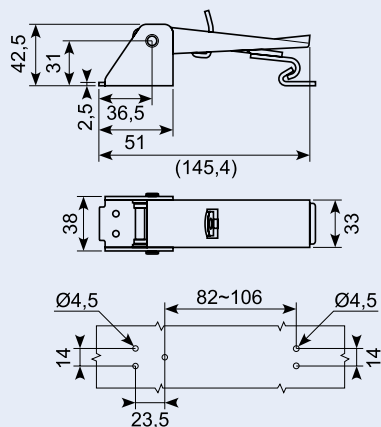
18.146

Sort pulverlakeret rustfri beslag og modhold 76mm uden lås.



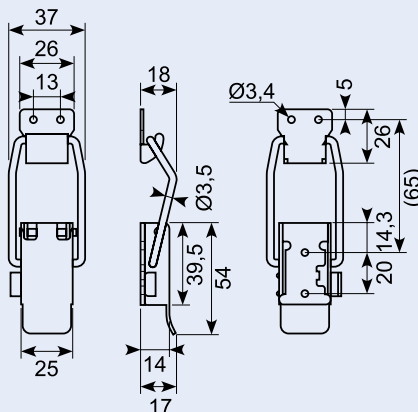
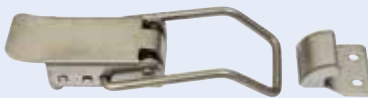
18.141

Galv excenterlukker Synlig fod m/øje for hængelås justerbar med modhold.



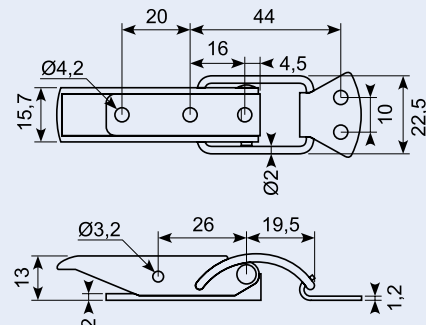
18.137

Rustfri excenterlukker m/bøjle med sidelås med modhold.



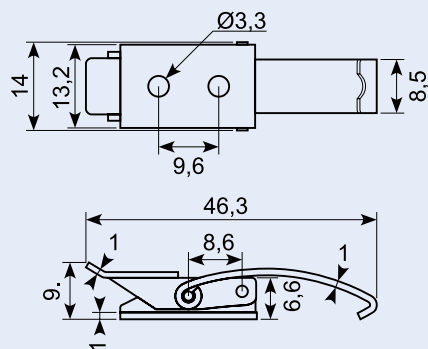
18.138

Rustfri excenterlukker m/bøjle med hul for split med modhold.



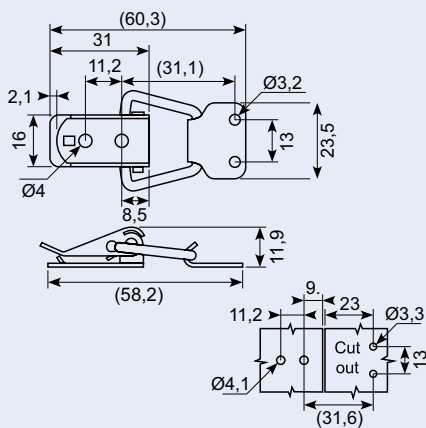
18.140

Galv excenterlukker rustfri bøjle/næse.



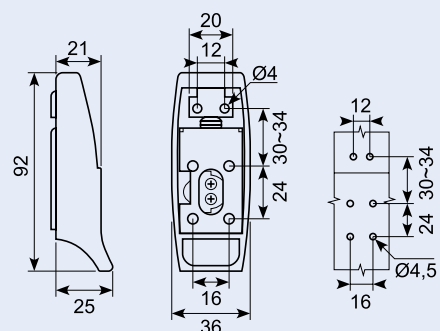
18.139

Rustfri excenterlukker m/bøjle fjeder retur med modhold.



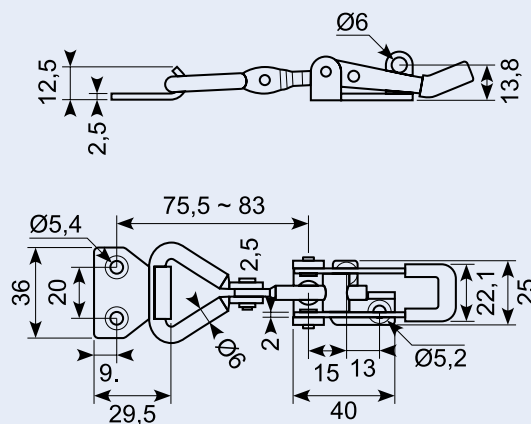
18.145

Sort pulverlakeret. Rustfri beslag og modhold. 92 mm med nøgle.



18.125A **

Rustfri/syrefast excenterlås med leddet øje 75,5-83mm.



18.129

Rustfri modhold med 2 huller SS304.

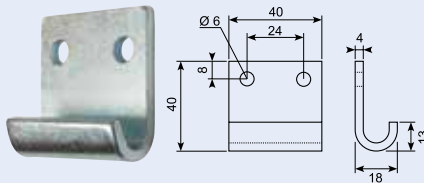
Catch plate with 2 holes. Stainless SS304.



50.14405-1

Galvaniseret fladt modhold.

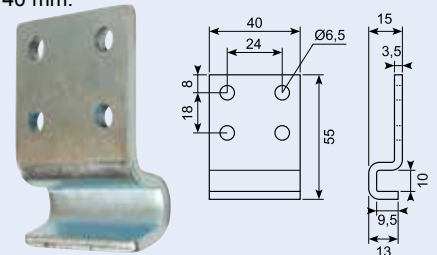
Catch plate flat, zinc plated. Hook width 40 mm.



50.14405-2

Galvaniseret forkrøbet modhold.

Catch plate zinc plated, cranked. Hook width 40 mm.

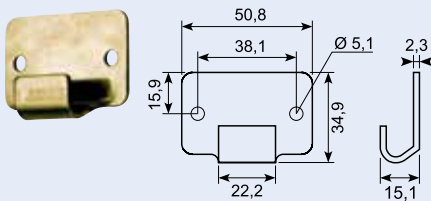


18.011273SS

Rustfri modhold.

Gul zink model: [18.011273ZN](#).

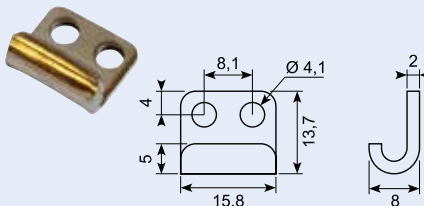
Catch plate for plane mounting. Stainless AISI 304. Hook width 22.2 mm.



18.015000SS

Rustfri modhold.

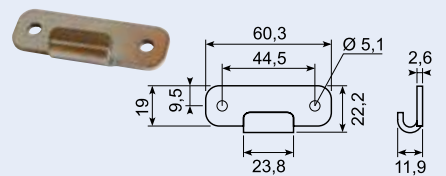
Catch plate. Stainless SS. Hook width 15.8 mm.



18.01502SS

Rustfri modhold. Galvaniseret model: [18.01502ZN](#).

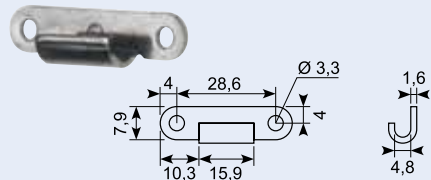
Catch plate for plane mounting. Stainless AISI 304. Hook width 23.8 mm. Zinc plated version: [18.01502ZN](#).



18.01504SS

Rustfri modhold. Model i EL-forzinket stål: [18.01504](#).

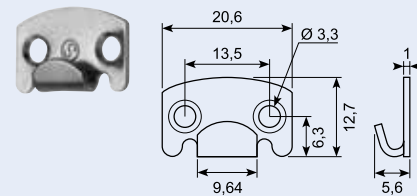
Catch plate. Stainless AISI 304. Hook width 15.9 mm. Electric galvanized version: [18.01504](#).



18.01531SS

Rustfri modhold.

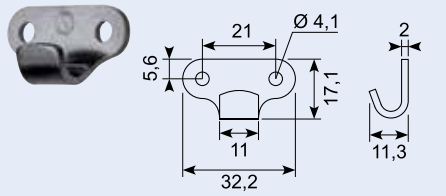
Catch plate for plane mounting. Stainless AISI 304. Hook width 9,64 mm.



18.01535SS

Rustfri modhold. Galvaniseret model: [18.01535ZN](#).

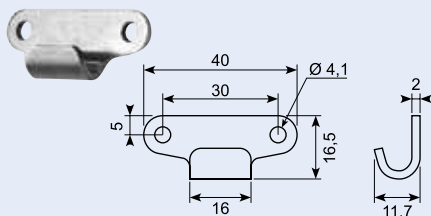
Catch plate. Stainless AISI 304. Hook width 11.2 mm. Zinc plated version: [18.01535ZN](#).



18.001600CLR

Modhold.

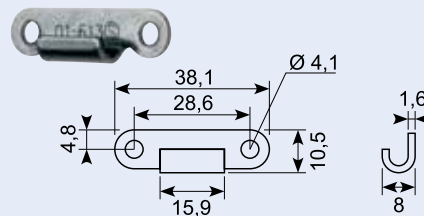
Catch plate. El-zinc plated, yellow. Steel. Hook width 16 mm.



18.01613ZN

Modhold.

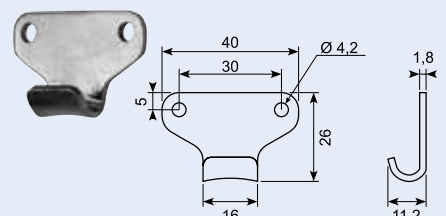
Catch plate. El-zinc plated, steel. Hook width 15.9 mm.



18.01655SS

Modhold.

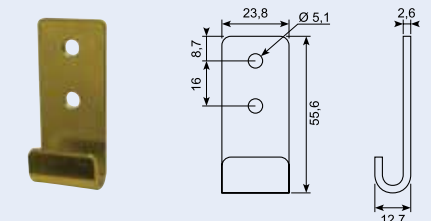
Catch plate for plane mounting. Stainless AISI 304. Hook width 16 mm.



18.021273ZN

Modhold.

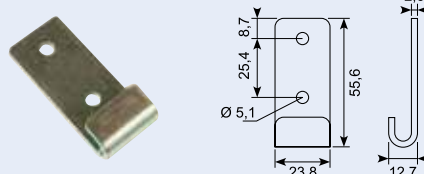
Catch plate for plane mounting. El-zinc plated, yellow. Steel. Hook width 23.5 mm.



18.02502SS

Rustfri modhold. Galvaniseret model: [18.02502ZN](#).

Catch plate for plane mounting. Stainless AISI 304. Hook width 23,8 mm. Zinc plated version [18.02502ZN](#).

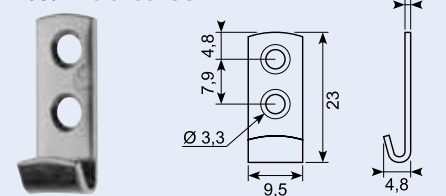


18.02531NI

Modhold.

Catch plate for plane mounting. Brass, nickel-plated. Hook width 9.5 mm.

Rustfri [18.02531SS](#)

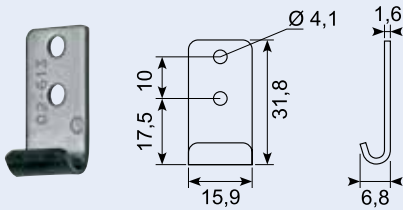


18.02633SS

Rustfri modhold.

Galvaniseret model: 18.02633.

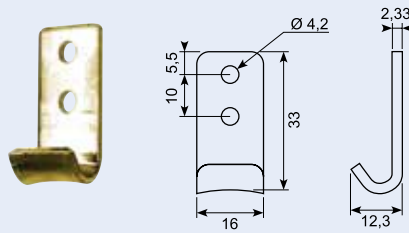
Catch plate. Stainless SS. Hook width 15.9 mm.



18.02655SS

Rustfri modhold.

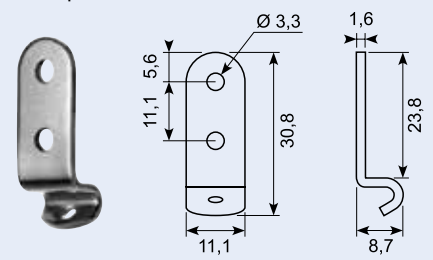
Catch plate. Stainless AISI 304. Hook width 16 mm.



18.03504SS

Modhold. Rustfri.

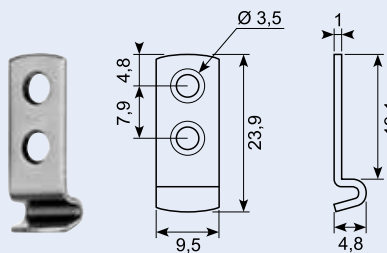
Catch plate.



18.03531ZN

Modhold. Galvaniseret.

Catch plate.

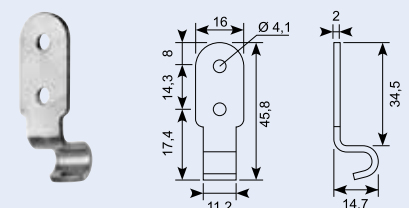


18.03535SS

Rustfri modhold.

Galvaniseret model: 18.03535ZN.

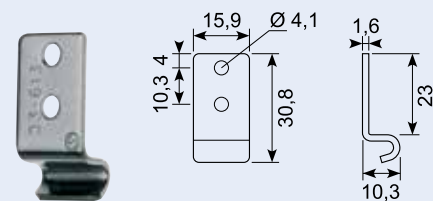
Catch plate. Stainless AISI 304. Hook width 11 mm. Zinc plated version: 18.03535ZN.



18.03613ZN

Modhold.

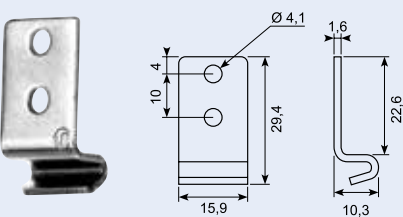
Catch plate. El-zinc plated, steel. Hook width 15.9 mm.



18.03633SS

Modhold.

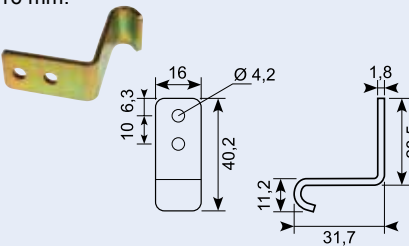
Catch plate for exterior angular. Stainless AISI 304. Hook width 15.9 mm.



18.03655SS

Modhold. Gul zink model: 18.03655ZN.

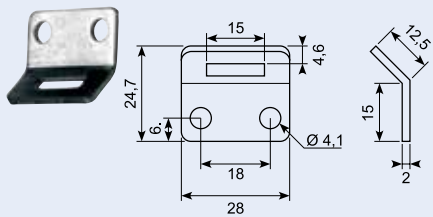
Catch plate. Stainless AISI 304. Hook width 16 mm.



18.042150SS

Modhold.

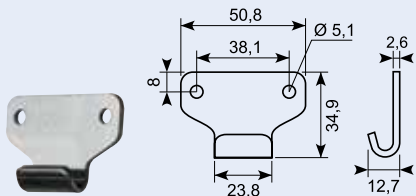
Catch plate for plane mounting. Stainless AISI 304. Hook width 15 mm.



18.051058SS

Rustfri modhold.

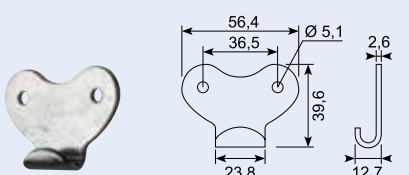
Catch plate for plane mounting. Stainless AISI 304. Hook width 23.8 mm. Zinc plated version: 18.051058ZN.



18.05502SS

Rustfri modhold. Galvaniseret model: 18.05502ZN.

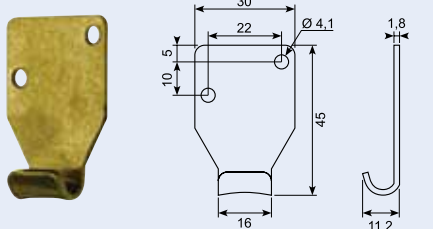
Catch plate for plane mounting. Stainless AISI 304. Hook width 23.8 mm. Zinc plated version: 18.05502ZN.



18.05655ZN

Gul el-forsinket modhold.

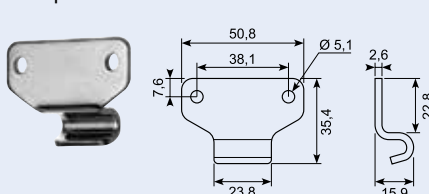
Catch plate. El-zinc plated, yellow. Steel. Hook width 16 mm.



18.061058SS

Rustfri modhold.

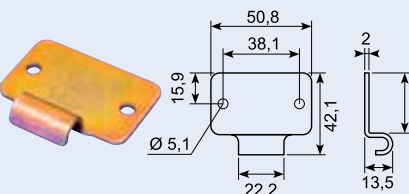
Catch plate for exterior angular assembly. Stainless AISI 304. Hook width 23.8 mm. Zinc plated version: 18.061058.



18.06625ZN

Galvaniseret modhold.

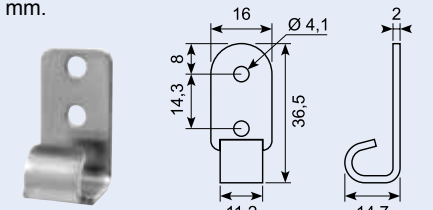
Catch plate for exterior angular assembly. El-zinc plated, yellow. Steel. Hook width 22.2 mm.



18.07535ZN

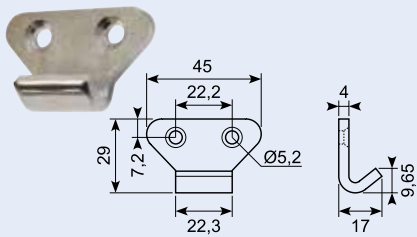
Modhold.

Catch plate for inside angular assembly. El-zinc plated, yellow. Steel. Hook width 11.2 mm.



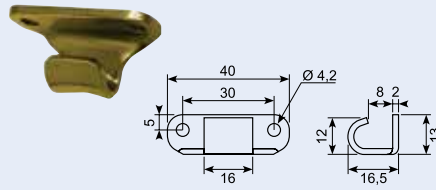
18.126SS304-1 **

Modhold til 18.126SS304
Rustfri 304



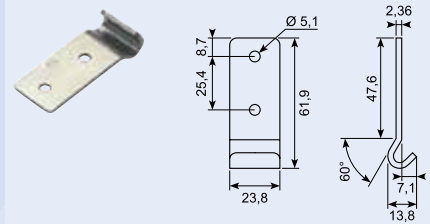
18.007655ZN

Modhold.
Catch plate for inside angular assembly.
El-zinc plated, yellow. Steel. Hook width 16 mm.



18.08502ZN

Modhold.
Catch plate for plane mounting. El-zinc plated. Steel. Hook width 23.8 mm.



18.02613ZN

Modhold.
Catch plate.

