

880 SERIES | MULTI-VALVE 2/2 • NC

The 880 series is a multi-valve with 2/2 function in NC (normally closed). Two integrated valve rockers in one compact body, combined with the Speed-Up control technique, enable a high flow capacity of 300 l/min., switching times from < 2 ms and a frequency of up to 450 Hz.

Optionally there is a miniature controller, which is integrated directly on the valve. In this version the Speed-Up technology can be operated with a standard 24 V signal without separate requirements or adaptations to existing controllers.

Depending on the version, the two integrated valve rockers can be switched together or separately, in order to switch 50% or 100% of the flow capacity. The 880 series is available as individual valve as well as manifold mounting valve.



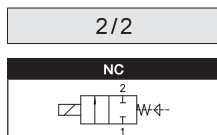
Technical data

	KK	XX	WW
Switching time opening*		< 2 ms	
Switching time closing*		< 2 ms	
Maximum frequency	350 Hz	450 Hz	350 Hz
Weight		from 80 g	
Protection class		IP62 – IP65	

*Varies with the working pressure

Outlets	1
Flow rate	430 l/min.
Function	2/2 way in NC
Pressure range	between 0-8 bar

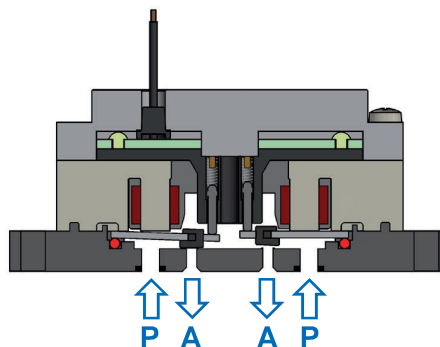
Possible function



Possible control

Direct / PWM / PFM / PNM / Combination

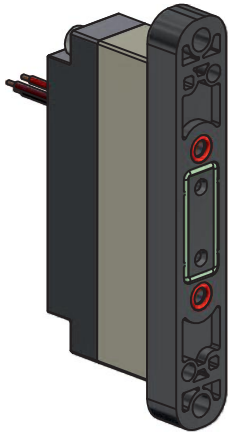
Information, see Page 5



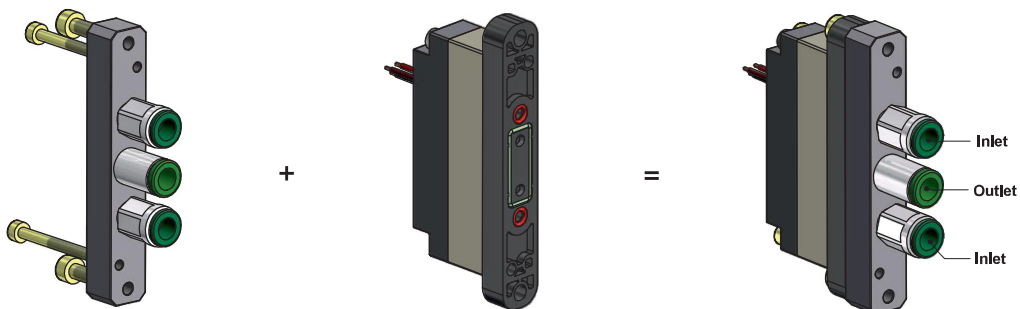
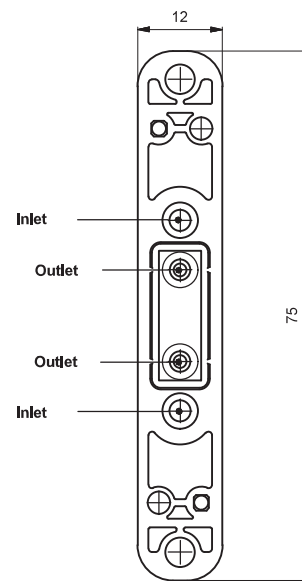
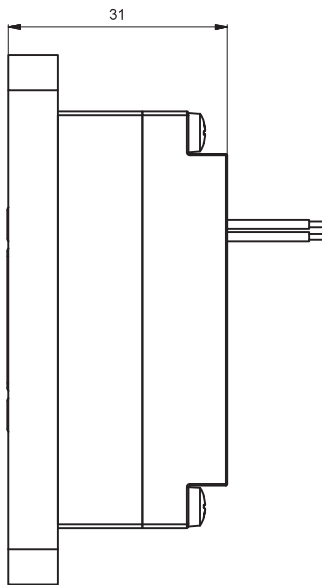
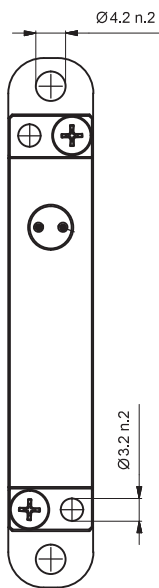
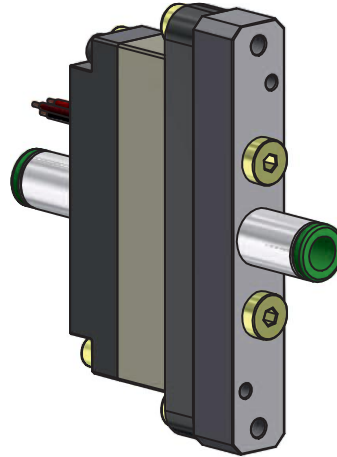
Section: Type 2/2 NC

Drawings and connections

Manifold mounting version



Standard version



Product examples and special solutions

