



Maximum resistance ...

■ **PHOTOELECTRIC SENSORS  
IP 69K**

STAINLESS STEEL HOUSING

Made in Germany

... resistant to acids,  
lyes and  
high pressure



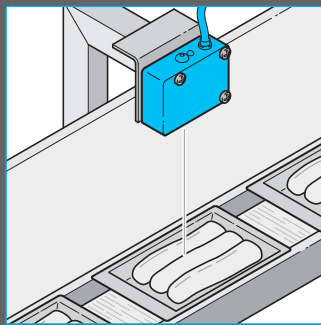
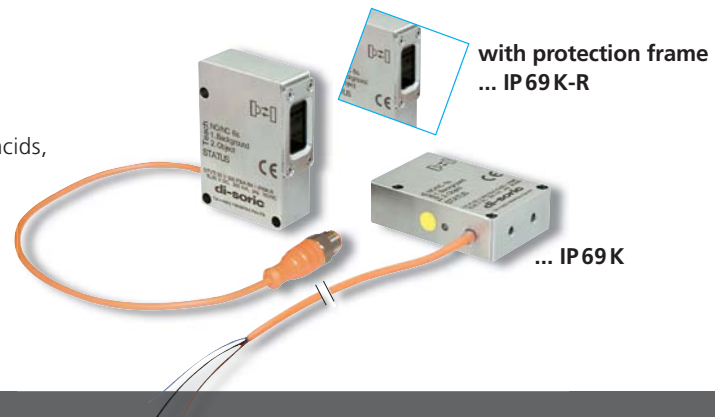
- Suitable for the food and beverage industry
- Permanent protection and sealed optics thanks to a protective frame with inserted O-ring
- IP69K with complete system including connection cable
- Teach button operation
- Functional reserve-/contamination indicator
- Durable laser marking

# PHOTOELECTRICSENSORS IP69K

## Total systematic view

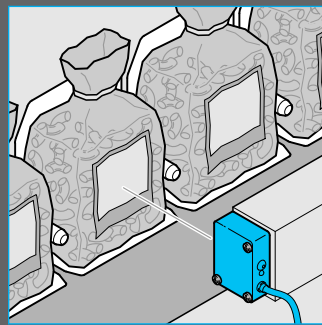
Thanks to its robust stainless steel housing, this series is resistant to lyes and acids, when assembled correctly with the sealed or enclosed connection cable, it fulfills **protection class IP69K**. The devices can also withstand the special requirements of simple and reliable cleaning with aggressive agents, even under high pressure.

**Sensors with a stainless steel housing are designed for outdoor use and in the food and beverage industry in particular.**



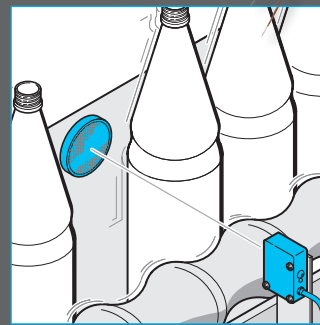
### Diffuse sensors

Applications in the food industry (OTVTI...)



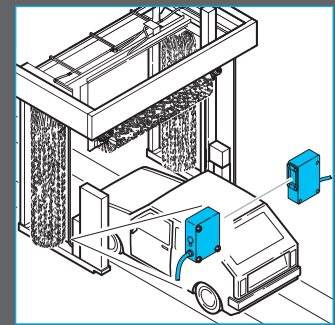
### Diffuse sensors

Feed control on packing machines (OTVTI...)



### Retro reflective sensors

Monitoring during bottling (ORVTI...)



### Through beam sensors

Access control for car wash (OEVV/OSP...)

© di-soric | Subject to change | Dated 06/09 | FL\_006.0609e

<b>Technical data (typ.)</b>	<b>+20°C, 24 VDC</b>
Service voltage	10...35VDC
Protection class	IP69K (at tightening torque PRK... = 0,6Nm)
Ambient temperature	-10...60°C
Casing- / Window material	Stainless steel V4A (1.4404 / 1.4571) / PMMA

Purchase order table	Operating distance	without protection frame	with protection frame
<b>Diffuse sensors</b>	(mm)		
Plug version 300 mm M12   npn <sup>1)</sup>	100 ... 500	OTVTI 51 V 500 P3LK-0.3-BS/IP69K	OTVTI 51 V 500 P3LK-0.3-BS/IP69K-R
Plug version 300 mm M12   npn <sup>1)</sup>	100 ... 500	OTVTI 51 V 500 N3LK-0.3-BS/IP69K	OTVTI 51 V 500 N3LK-0.3-BS/IP69K-R
Cable version 5.000 mm   npn	100 ... 600	OTVTI 50 V 600 P3LK-5m/IP69K	OTVTI 50 V 600 P3LK-5m/IP69K-R
Cable version 5.000 mm   npn	100 ... 600	OTVTI 50 V 600 N3LK-5m/IP69K	OTVTI 50 V 600 N3LK-5m/IP69K-R
<b>Retro reflective sensors</b>			
Plug version 300 mm M12   npn <sup>1)</sup>	40 ... 2.000	ORVTI 51 V 2000 P3LK-0.3-BS/IP69K	ORVTI 51 V 2000 P3LK-0.3-BS/IP69K-R
Plug version 300 mm M12   npn <sup>1)</sup>	40 ... 2.000	ORVTI 51 V 2000 N3LK-0.3-BS/IP69K	ORVTI 51 V 2000 N3LK-0.3-BS/IP69K-R
Cable version 5.000 mm   npn	300 ... 5.000	ORVTI 51 V 5000 P3LK-5M/IP69K	ORVTI 51 V 5000 P3LK-5M/IP69K-R
Cable version 5.000 mm   npn	300 ... 5.000	ORVTI 51 V 5000 N3LK-5M/IP69K	ORVTI 51 V 5000 N3LK-5M/IP69K-R
<b>Through beam sensors</b>			
Plug version 300 mm M12 <sup>1)</sup>			
Transmitter	0 ... 20.000	OSP 50 V 20000-0.3-BS/IP69K	OSP 50 V 20000-0.3-BS/IP69K-R
Receiver, npn+npn	0 ... 20.000	OEVV 50 V 20000 G2LK-0.3-BS/IP69K	OEVV 50 V 20000 G2LK-0.3-BS/IP69K-R

<sup>1)</sup>Connecting cable PRKT4-3-44/5.05 included

Further versions on request

You will find more equipment from these product ranges at [www.di-soric.com](http://www.di-soric.com)