



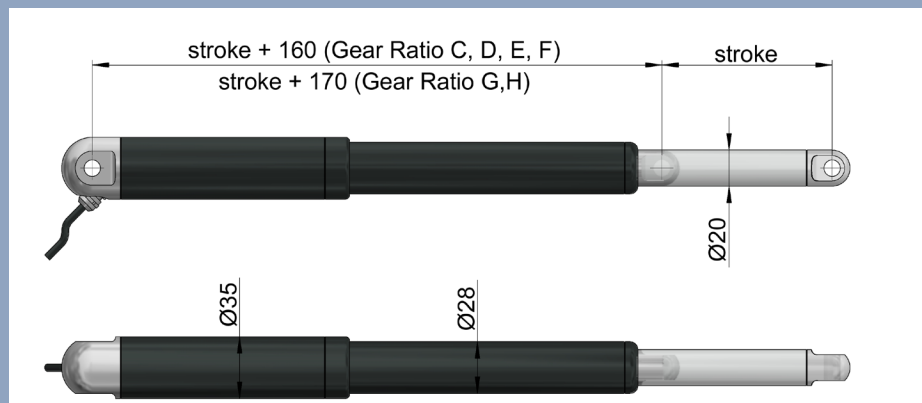
stroke	Gear ratio	Part number
<b>50</b>	C	EEL-35-50-C
	D	EEL-35-50-D
	E	EEL-35-50-E
	F	EEL-35-50-F
	G	EEL-35-50-G
	H	EEL-35-50-H
<b>100</b>	C	EEL-35-100-C
	D	EEL-35-100-D
	E	EEL-35-100-E
	F	EEL-35-100-F
	G	EEL-35-100-G
	H	EEL-35-100-H
<b>150</b>	C	EEL-35-150-C
	D	EEL-35-150-D
	E	EEL-35-150-E
	F	EEL-35-150-F
	G	EEL-35-150-G
	H	EEL-35-150-H

stroke	Gear ratio	Part number
<b>200</b>	C	EEL-35-200-C
	D	EEL-35-200-D
	E	EEL-35-200-E
	F	EEL-35-200-F
	G	EEL-35-200-G
	H	EEL-35-200-H
<b>250</b>	C	EEL-35-250-C
	D	EEL-35-250-D
	E	EEL-35-250-E
	F	EEL-35-250-F
	G	EEL-35-250-G
	H	EEL-35-250-H
<b>300</b>	C	EEL-35-300-C
	D	EEL-35-300-D
	E	EEL-35-300-E
	F	EEL-35-300-F
	G	EEL-35-300-G
	H	EEL-35-300-H

stroke	Gear ratio	Part number
<b>350</b>	C	EEL-35-350-C
	D	EEL-35-350-D
	E	EEL-35-350-E
	F	EEL-35-350-F
	G	EEL-35-350-G
	H	EEL-35-350-H
<b>400</b>	C	EEL-35-400-C
	D	EEL-35-400-D
	E	EEL-35-400-E
	F	EEL-35-400-F
	G	EEL-35-400-G
	H	EEL-35-400-H
<b>500</b>	C	EEL-35-500-C
	D	EEL-35-500-D
	E	EEL-35-500-E
	F	EEL-35-500-F
	G	EEL-35-500-G
	H	EEL-35-500-H

	C	D	E	F	G	H
Max. Force [N]	120	400	600	900	1600	2200
Speed at maximum load [mm/s]	33	16	12	7,5	4	3

- Voltage: 24VDC
- Cable length: 3m
- Aluminium connecting parts: A1K / A1M
- With hall sensor
- With Molex connector
- Shipment of 1pc within 48 hours
- Protection class: IP66
- Temperature: -20°C - 70°C



The flyer is subject to technical alterations and printing mistakes.