

EEL-S3



Bansbach
easylift

EEL-S3 Battery Based Actuator Control System

FEATURES:

- Up- and Down-Function
- Battery powered for mobile use
- 24VDC, NiMH or Li-Ion battery
- Patented battery system
- Customized colors and foil design
- Wired handset
- No Hall sensors are supported
- **Battery-Capacity:**
 - NiMH: 1400m Ah
 - Li-Ion: 2100m Ah

TECHNICAL DATA:

- Supply: 24VDC, NiMH or Li-Ion battery
- Idle current: < 5mA
- Current limit: 8A/ch max. total 12A
- Current trip delay: 30ms
- Ramps: 0-3 sec
- Operating temp: +5° - +40°C
- Connector type: Molex Mini-Fit 6 pin

The easyE control S3 is used to control our easyE-line actuators. This battery-powered controller which has a unique design allows an actuator to move up and down and be used in a variety of different applications. Also and especially when it gets mobile.

THE FOLLOWING COMPONENTS BELONGS TO THE S3 SYSTEM:

- S3 Control Box
- S3 Handset
- S3 Battery
- S3 Battery Charger

The S3 control box is designed to handle 1 actuator. It is controlled with a wired handset.

The battery is designed to be very easy to change without tools. This is done by a patented magnetic principle.

The S3 system contains a rechargeable 24VDC, NiMH or Li-Ion battery, enabling the actuator solution to be fully mobile.

Standard S3 solution includes IP50 protection with IP65 protection available.

SYSTEM COMPONENTS



S3 CONTROL BOX



S3 BATTERY CHARGER



S3 BATTERY

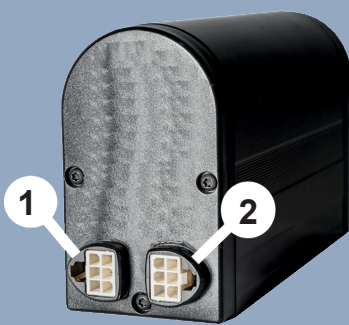


S3 BRACKET



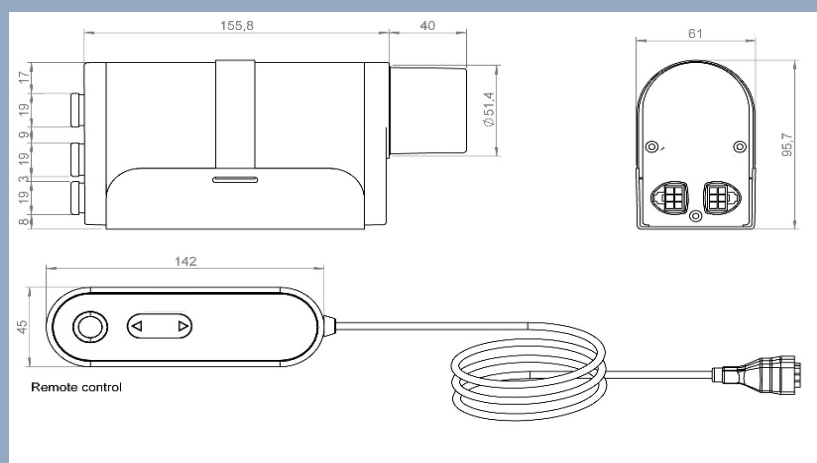
S3 HANDSET

ELECTRICAL CONNECTIONS



- 1 Actuator
- 2 Handset

MECHANICAL DIMENSIONS



The flyer is subject to technical alterations and printing mistakes.

Bansbach easylift GmbH

Barbarossastraße 8
D-73547 Lorch

Tel. +49 (0) 7172/9107-0
Fax +49 (0) 7172/9107-44

info@bansbach.de
www.bansbach.de

Bansbach
easylift

10/2018