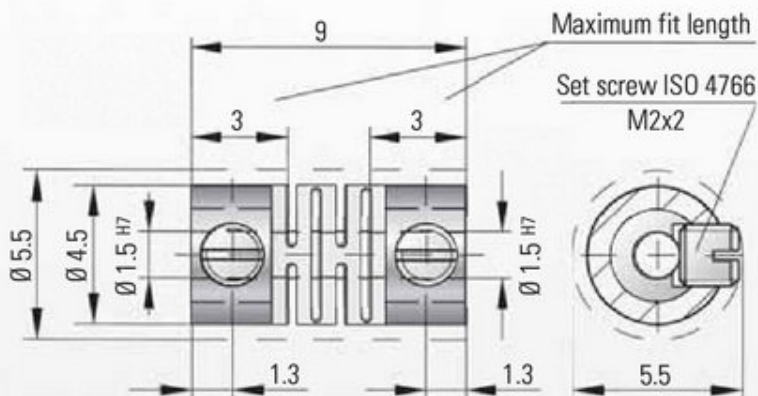


MODEL FK1 001/9

MICROFLEX-COUPPLINGS



Order example

FK1 / 001 / 9 / 1,5 / 1,5 / XX

Model
Series / Nm
Overall length
Ø D H7
Ø D H7
Non standard

Material:

Coupling material: Polyamid
Hub material: stainless steel

Other bore diameter are available upon request.
Radial clamping is achieved by using a
ISO 4766 M2 x 2 set screw.

Temperature range:

-35 to + 90° C

Backlash:

Absolutely backlash-free

Brief overloads:

Acceptable up to 1.5 times the value specified.

Service life:

These couplings are maintenance-free if the
technical limits are not exceeded.

Speed range:

Up to 20.000 U/min

The extended diameter can be reduced by
using a flattened shaft.

A further reduction of the \varnothing to 4.5 mm
can be reached by using a M2x1.5 set screw
(Additional Charge)

The information mentioned in this document is based on our present
knowledge and experiences and does not exclude the manufacturer's
own substantial testing of the equipment. So this is no obligatory
assurance even with regard to protection rights of Third Parties. The
sale of our products is subject to our General Conditions of Sale
and Delivery.

Technical information

| | |
|-------------------------------|------------------------|
| Nominal torque capacity: | 1 Ncm |
| Maximum peak torque capacity: | 2 Ncm |
| Weight: | 0.47 g |
| Moment of inertia: | 5.39 g/mm ² |
| Torsional stiffness: | 23 Ncm/rad |
| Max. lateral misalignment: | 0.1 mm |
| Max. angular misalignment: | 1.5° |
| Max. axial misalignment: | 0.2 mm |